

**Features**

- Automatic, flow-rate-independent two-way valve
- Switching on and shut-off functions
- Small dimensions

**Automatic dump valves**

**up to 700 bar**

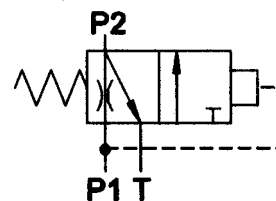
**Type ADV700**

**up to 25 l/min**



**Applications**

For single-acting applications, suitable for direct installation into pipelines. Also available as cartridge for individual installation in valve bodies.



**Technical data**

Hydraulic fluid	mineral oil according to DIN 51524 (other fluids on request)
Fluid temperature range	NBR: -30 to 80 °C FPM: -20 to 80 °C
Ambient temperature range	-30 to 50 °C
Viscosity range	5 to 400 mm <sup>2</sup> /s
Installation	directly into pipeline or cartridge
Operating pressure max.	700 bar
Flow rate max.	25 l/min
Filtration	according to NAS 1638, class 6 or ISO/DIN 4406 15/12
Weight	1,1 kg
Material / surface treatment	steel: galvanised / black chromated

Automatic dump valves up to 700 bar	Type ADV700 up to 25 l/min
--	-------------------------------

**Type**

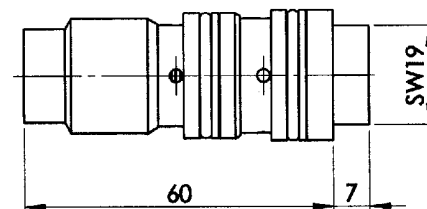
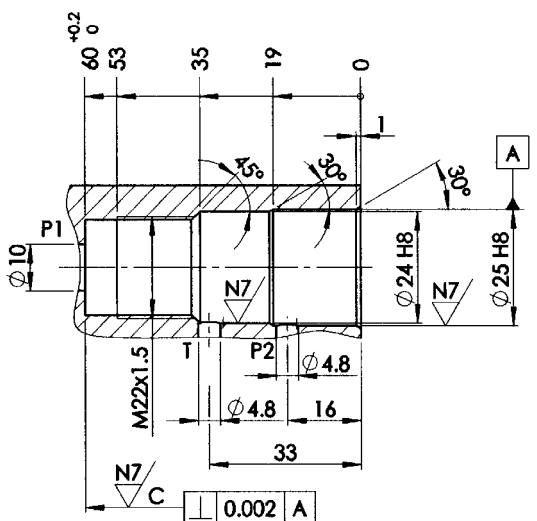
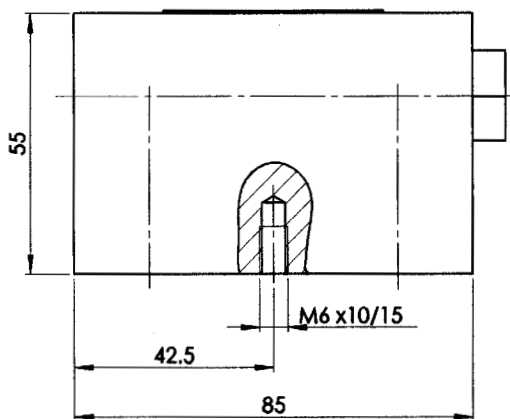
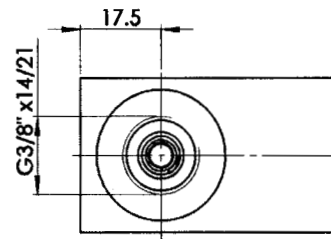
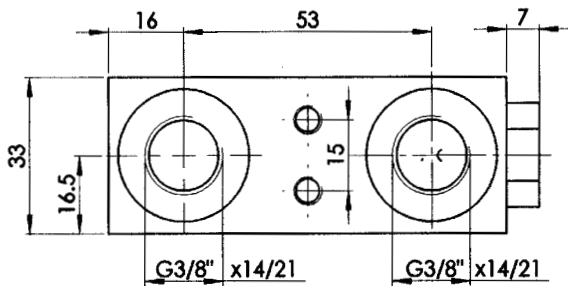
ADV700-6-P-A\*00

ADV700-6-V-A\*00

**Seals**

P (NBR)

V (FPM)



As we are constantly improving our products, we keep us the right to change the technical specifications without prior notice.

ADV700-EN-0608

**Bieri Hydraulik AG**

Könizstrasse 274

CH-3097 Liebefeld/Switzerland

Tel. +41 31 970 09 09

Fax +41 31 970 09 10

sales@bierihydraulics.com

**BIERI**  
SWISS HYDRAULICS