

**Features**

- Subplates with side or bottom connection
- Compact design up to six stations
- Porting NG 6 according to DIN 24340

<b>Subplates</b>	<b>Type AP/RP 700</b>
<b>NG 6 up to 700 bar</b>	<b>up to 25 l/min</b>



**Function and design**

The subplates AP and multi-station subplates RP are the basic elements for the build up of hydraulic circuits. Compact hydraulic circuits can be realised using the valve type BV700 NG 6 and the multi-station plates.

With these plates all control lines have a common pressure connection P and a common tank connection T. The user ports A and B are situated on the side of the plate.

Tie bolts and fixing screws see last page.

**Technical data**

Hydraulic fluid	mineral oil according to DIN 51524 (other fluids on request)
Fluid temperature range	NBR: -30 to 80 °C FPM: -20 to 80 °C
Ambient temperature range	-30 to 50 °C
Viscosity range	5 to 400 mm <sup>2</sup> /s
Porting	NG 6 according to DIN 24340 / ISO 4401 / CETOP RP 121 H
Operating pressure max. connection P, A, B	700 bar
Pressure admissible max. connection T	350 bar
Flow rate max.	25 l/min
Filtration	according to NAS 1638, class 6 or ISO/DIN 4406 15/12
Weight	see dimension drawings
Material	steel: galvanized, black chromated

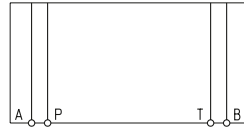
<b>Subplates</b>	<b>Type AP/RP 700</b>
<b>NG 6 up to 700 bar</b>	<b>up to 25 l/min</b>

**Subplates**

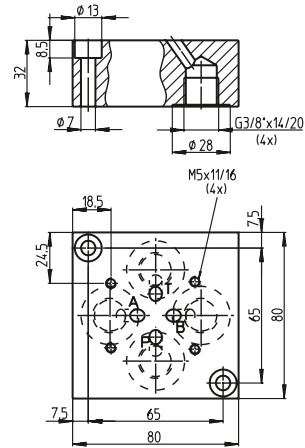
Design revision B  
Weight 1,5 kg

**Type**

AP700-6-A1-B\*00

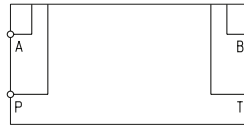


Bottom connection

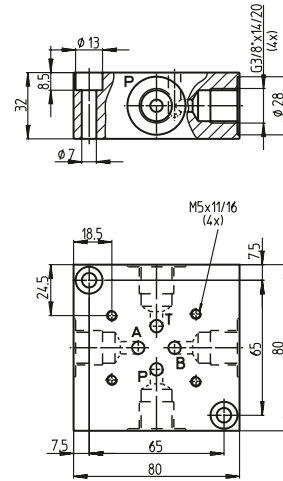


**Type**

AP700-6-A2-B\*00

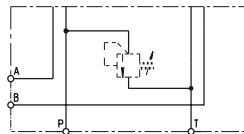


Side connection



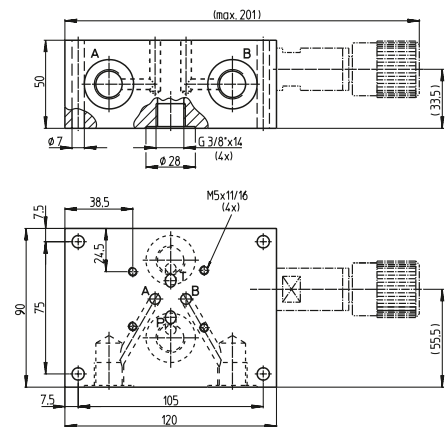
**Type**

AP700-6-A3-B\*00



Connection  
A, B side / P, T bottom

Pressure relief cartridge  
has to be ordered  
separately according  
data sheet DV700.



<b>Subplates</b>	<b>Type AP/RP 700</b>
<b>NG 6 up to 700 bar</b>	<b>up to 25 l/min</b>

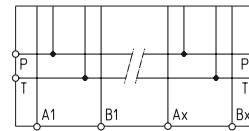
**Multi-station subplates**

Design revision B

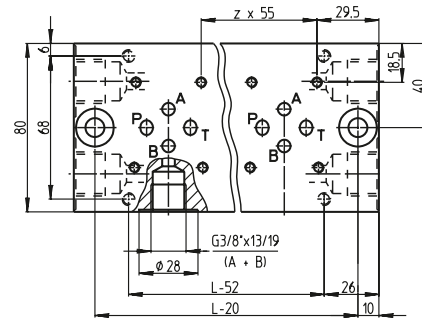
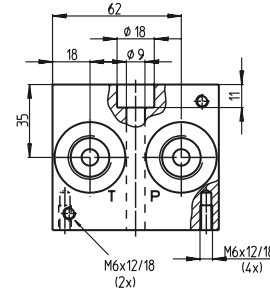
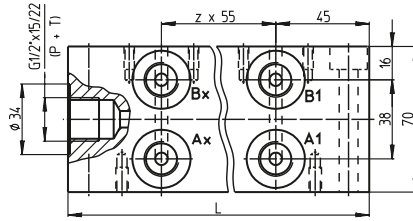
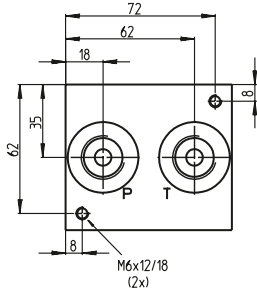
**Type**

- RP700-6-R2-B\*00
- RP700-6-R3-B\*00
- RP700-6-R4-B\*00
- RP700-6-R5-B\*00
- RP700-6-R6-B\*00

Stations	L	z	Weight kg
2	145	1	5,5
3	200	2	7,5
4	255	3	9,5
5	310	4	11,5
6	365	5	13,5



2 to 6 stations



Side connection

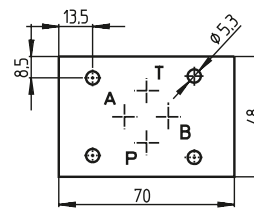
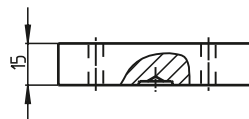
**Deck plate**

Weight 0,4 kg

**Part no.**

52006

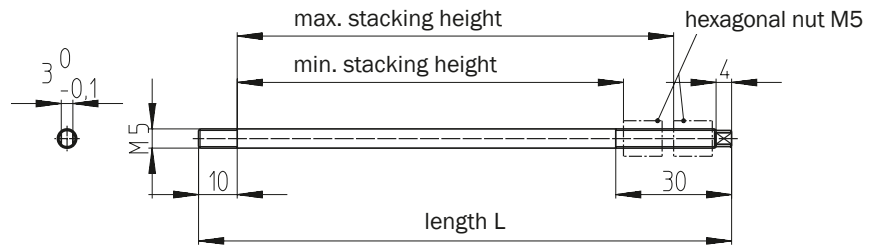
For each plate the following is included:  
 4 pieces O-rings 9,25 x 1,78 mm  
 90° ShA, part no. 900195



<b>Subplates</b>	<b>Type AP/RP 700</b>
<b>NG 6 up to 700 bar</b>	<b>up to 25 l/min</b>

### Stacking height

Total height of all elements without subplate. Maximum stacking height 250 mm.



### Valve and subplate height

Height	Description	Function
15 mm	Deck plate	
20 mm	Plate for orifices or check valves	
40 mm	Check valves pilot operated Pressure relief valves Shut-off valves	
50 mm	Intermediate plates Unloading valves Throttle check valves Throttle valves Prop. pressure relief valves Seated valves, solenoid operated Seated valves, manual operated	F, K, L, N, VO, VS, WO, WS L, N, VO, VS, WO, WS
62 mm	Pressure reducing valves Load holding controlled lowering valves	
63 mm	Seated valves, solenoid operated Seated valves, manual operated	C, D, E, G, GB, H, P, J, M, R C, D, E, F, G, GB, H, J, K, M, P, R
78 mm	Seated valves, solenoid operated Seated valves, manual operated	U U

### Fastening elements

To achieve correct functioning of the valve assembly the bolts are to be tightened without twisting the bolt.

#### Socket head screw

ISO 4762-M5xL-12.9  
tightening torque 8,5 Nm

#### Tie bolt

M5xL-12.9  
tightening torque 10,0 Nm

Stacking height	Part no.	Length L	Stacking height	Part no.	Length L
15–18 mm	914027	25	100–113 mm	51992	138
50–53 mm	900296	60	114–127 mm	51993	152
55–58 mm	900720	65	128–141 mm	51994	166
60–63 mm	900668	70	142–155 mm	51995	180
65–68 mm	906216	75	156–169 mm	51996	194
70–73 mm	914113	80	170–183 mm	51997	208
78–83 mm	906218	90	184–197 mm	51998	222
90–93 mm	906219	100	198–211 mm	51999	236
			212–224 mm	52000	249
			225–237 mm	52001	262
			238–250 mm	52002	275

Hexagonal nuts M5 x 2d 12.9,  
part no. 51991  
(4 pieces per station) key size 10

As we are constantly improving our products, Bieri reserves the right to make changes to the technical specification without prior notice.

**Bieri Hydraulik AG**  
Könizstrasse 274  
CH-3097 Liebefeld/Switzerland  
Tel. +41 31 970 09 09  
Fax +41 31 970 09 10  
sales@bierihydraulics.com

**BIERI**  
SWISS HYDRAULICS