

**Features**

- Safe operation
- Suitable for bi-directional flow
- Leak free
- Porting NG 6 according to DIN 24340

<b>Shut-off valves</b>	<b>Type AV700</b>
<b>NG 6 up to 700 bar</b>	<b>up to 25 l/min</b>



**Application**

- as cartridge
- as modular valve

Shut-off valves are used for manually opening and closing a channel.

They can also be used as drainage valves against the tank line. Shut-off valves are suitable for bidirectional flow.

**Technical data**

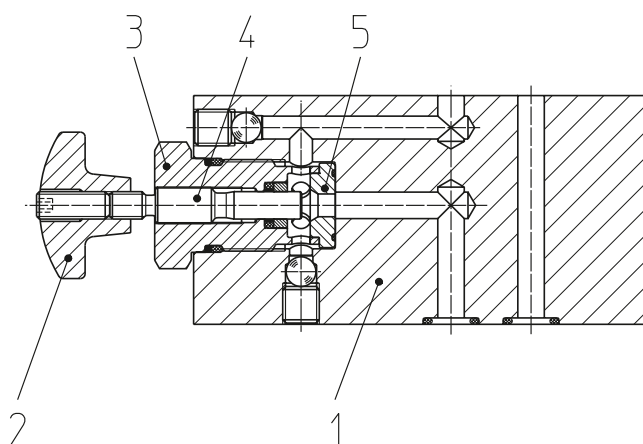
Hydraulic fluid	Mineral oil according to DIN 51524 (other fluids on request)
Fluid temperature range	NBR: -30 to 80 °C FPM: -20 to 80 °C
Ambient temperature range	-30 to 50 °C
Viscosity range	5 to 400 mm <sup>2</sup> /s (optimal: 10-68)
Porting	NG 6 according to DIN 24340 / ISO 4401 / CETOP RP 121 H
Operating pressure max. connection P, A, B	700 bar
Operating pressure max. connection T	350 bar
Flow rate max.	25 l/min
Pressure drop at 25 l/min (Valve fully open)	15 bar
Filtration	according to NAS 1638, class 6 or ISO/DIN 4406 15/12
Weight	see dimension drawings
Material / surface treatment	Steel parts: galvanized, black chromated Cartridge: steel Adjusting knob: cast iron

<b>Shut-off valves</b>	<b>Type AV700</b>
<b>NG 6 up to 700 bar</b>	<b>up to 25 l/min</b>

**Function and design**

The shut-off valve comprises a cartridge and the valve body (1) in intermediate plate design. The cartridge consists of adjusting knob (2), spindle (4), seat (5) and cartridge (3).

The spindle design allows easy adjustability even at high pressure. A hexagon opening in the adjusting knob allows more sensitive adjustment by means of an allen-key. If the spindle is fully screwed in, the relevant channel is closed and leak free.



**Screw-in cartridge (Type AV700-6-E-25-X-A\*00)**

Weight 0,12 kg

Symbol



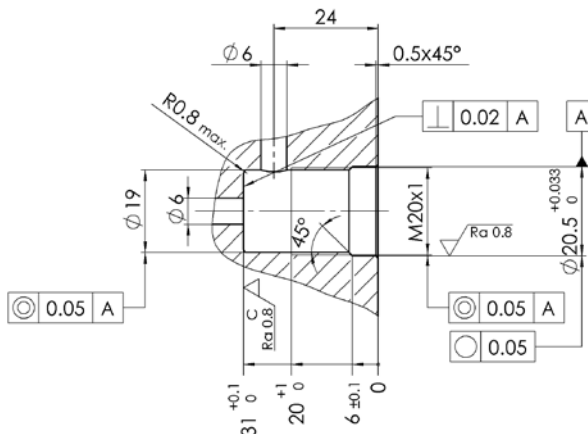
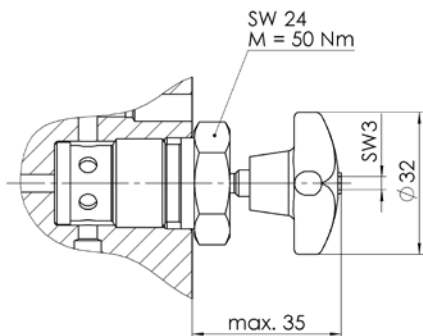
Dimension drawing  
Screw-in cartridge

Bore dimension

Article no.	P [NBR]	V [FPM]
	53632	55656

(Valve block for in-line mounting 60758)

Bore pattern

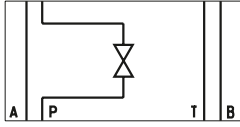


<b>Shut-off valves</b>	<b>Type AV700</b>
<b>NG 6 up to 700 bar</b>	<b>up to 25 l/min</b>

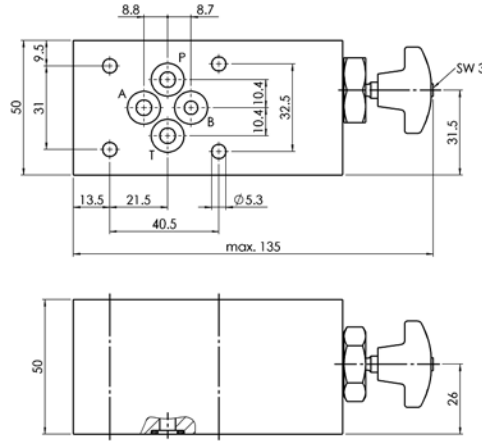
**Shut-off valves** (Type AV700-6-PP-25-X-A\*00)

Weight 1,9 kg

Symbol



Dimension drawing

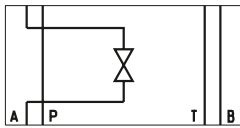


Article no.	P [NBR]	V [FPM]
54457		55678

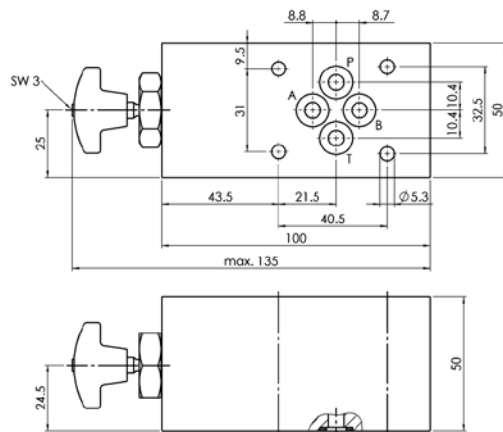
**Shut-off valves** (Type AV700-6-AA-25-X-A\*00)

Weight 1,9 kg

Symbol



Dimension drawing

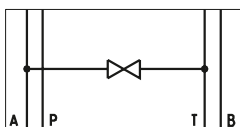


Article no.	P [NBR]	V [FPM]
54451		55679

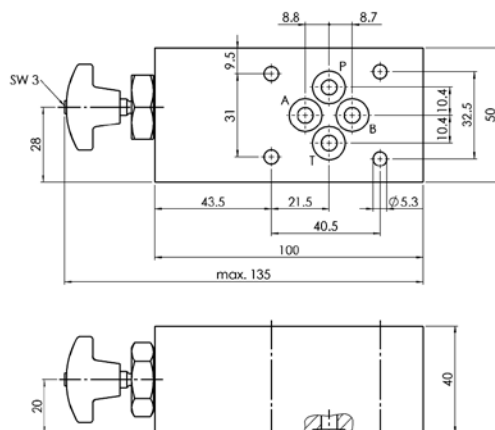
**Shut-off valves** (Type AV700-6-AT-25-X-A\*00)

Weight 1,9 kg

Symbol



Dimension drawing



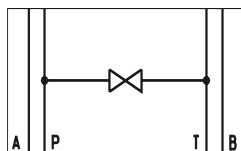
Article no.	P [NBR]	V [FPM]
53628		55672

<b>Shut-off valves</b>	<b>Type AV700</b>
<b>NG 6 up to 700 bar</b>	<b>up to 25 l/min</b>

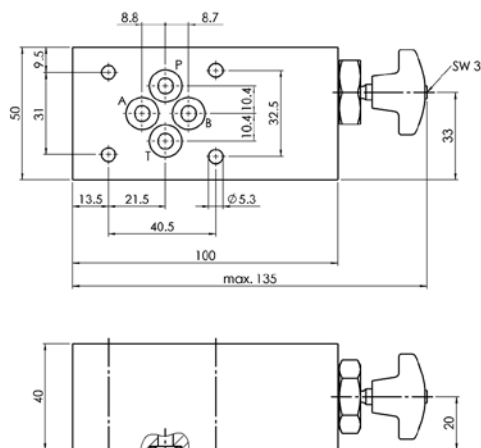
**Shut-off valves** (Type AV700-6-PT-25-X-A\*00)

Weight 1,9 kg

Symbol



Dimension drawing



Article no.	P [NBR]	V [FPM]
	55673	55675

**Accessories**

For each valve the following is included:

4 pieces O-rings 9,25 x 1,78 mm

90° ShA part no. 900195

Tie bolts / fixing screws and subplates

see technical data sheet AP / RP

Operating instructions see BA-BV700

As we are constantly improving our products, Bieri reserves the right to make changes to the technical specification without prior notice.

**Bieri Hydraulik AG**  
 Könizstrasse 274  
 CH-3097 Liebefeld/Switzerland  
 Tel. +41 31 970 09 09  
 Fax +41 31 970 09 10  
 sales@bierihydraulics.com

**BIERI**  
 SWISS HYDRAULICS