

Features

- Direct operated valve
- Pressure stability
- Safe operation
- Precise pressure adjustment
- Porting NG 6 according to DIN 24340
- Maximum pressure setting with lock nut

Unloading valves	Type DA700
NG 6 up to 700 bar	up to 25 l/min



Application

The valve serves to shut-off the low-pressure flow depending on the prevailing pressure. As soon as the system reaches the pre-set shut-off pressure, the low-pressure flow is switched to non-pressurised circu-

lation, so that only the HP pump delivers into the system. Once the pressure drops below the pre-set value, the low-pressure flow is added again. As the maximum shut-off pressure is secured by lock nuts, it cannot be exceeded by accident.

Technical data

Hydraulic fluid	mineral oil according to DIN 51524 (other fluids on request)
Fluid temperature range	NBR: -30 to 80 °C FPM: -20 to 80 °C
Ambient temperature range	-30 to 50 °C
Viscosity range	5 to 400 mm ² /s
Porting	NG 6 according to DIN 24340 / ISO 4401 / CETOP RP 121 H
Operating pressure max. connection P	700 bar
Pressure admissible max. connection A, T	350 bar
Flow rate max.	25 l/min
Filtration	according to NAS 1638, class 6 or ISO/DIN 4406 15/12
Weight	2,1 kg
Material / surface treatment	housing: steel, galvanized, chromated cartridge: steel corrosion resistant adjusting knob: plastic

Unloading valves	Type DA700
NG 6 up to 700 bar	up to 25 l/min

Type

DA700-6-A-350-P-**00
DA700-6-A-350-V-**00

Seals

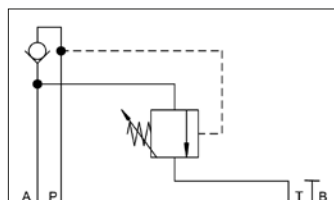
P (NBR)
V (FPM)

Article no.

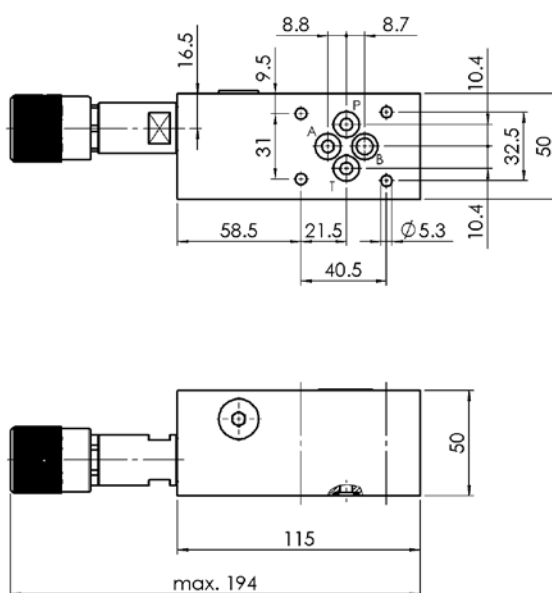
50188
58787

Symbol

The unloading valve is designed as end valve.



A Connection for low-pressure pump
P Connection for high-pressure pumps
T Tank connection

Dimension drawings**Accessories**

For each valve the following is included:
4 pieces O-rings 9,25 x 1,78 mm
90°ShA part. no. 900195
Adjusting knob mounted
Cap in addition

Tie bolts / fixing screws and subplates
see technical data sheet AP / RP

Operating instructions see BA-BV700

As we are constantly improving our products, Bieri reserves the right to make changes to the technical specification without prior notice.

Bieri Hydraulik AG
Könizstrasse 274
CH-3097 Liebefeld/Switzerland
Tel. +41 31 970 09 09
Fax +41 31 970 09 10
sales@bierihydraulics.com

BIERI
SWISS HYDRAULICS