

Used for line or panel mounting

Superior conception

Combined instrument for permanent pressure indication, provided with two change-over switches which are independently adjustable over the entire pressure range, with indication of the pressure settings.

Pressure switch with two adjustable change-over switches

Type DV7.2



Real Swiss quality

Designed for rough operating conditions, insensitive to hydraulic overloads, specially developed piston seal, built-in damper, housing made of anodised light metal alloy, with instrument plug according DIN 43650.

Easy to install

Ideal overall dimensions, can be mounted in any operating position, turnable under full pressure around the longitudinal axis, instrument plug turnable by 3x 90°.

Universal application

7 pressure ranges for the optimal adaptation to any operating pressure, suitable for mineral oils, other mediums on request.

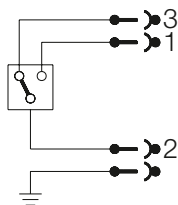
Technical data

Type	Pressure up to bar	Overload admissible max. bar
DV7. 70.29007	70	150
DV7. 100.29010	100	300
DV7. 160.29016	160	300
DV7. 250.29025	250	1200
DV7. 400.29040	400	1200
DV7. 600.29060	600	1200
DV7. 1000.29100	1000	1200

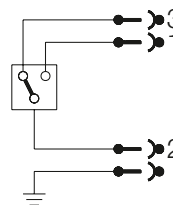
Wiring diagramme

Application in explosion endangered rooms is possible, provided an explosion-proof relays is connected in series.

p 1: green tab



p 2: red tab



Electrical switching capacity

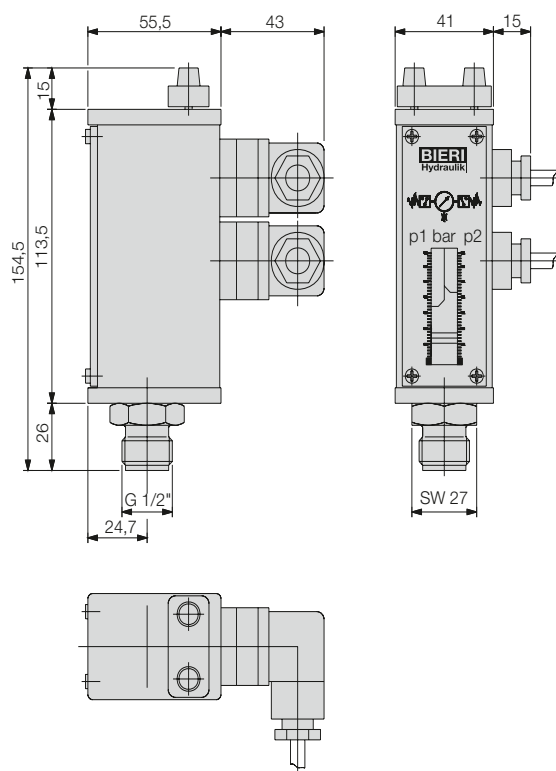
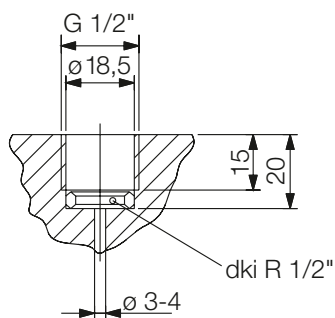
	ohm. load	ind. load
250 VAC	10 A	2 A
250 VDC	0,35 A	0,2 A
125 VDC	0,4 A	0,25 A
48 VDC	1,2 A	0,7 A
30 VDC	4 A	2 A
24 VDC	10 A	4 A

General information

Switching hysteresis	
of the scale end value	2-10%
Repeat accuracy	
of the scale value	1%
Degree of protection	IP 54
Class of insulation	I
Indication accuracy class	4.0
Standard	EN 60529

Hydraulic connection

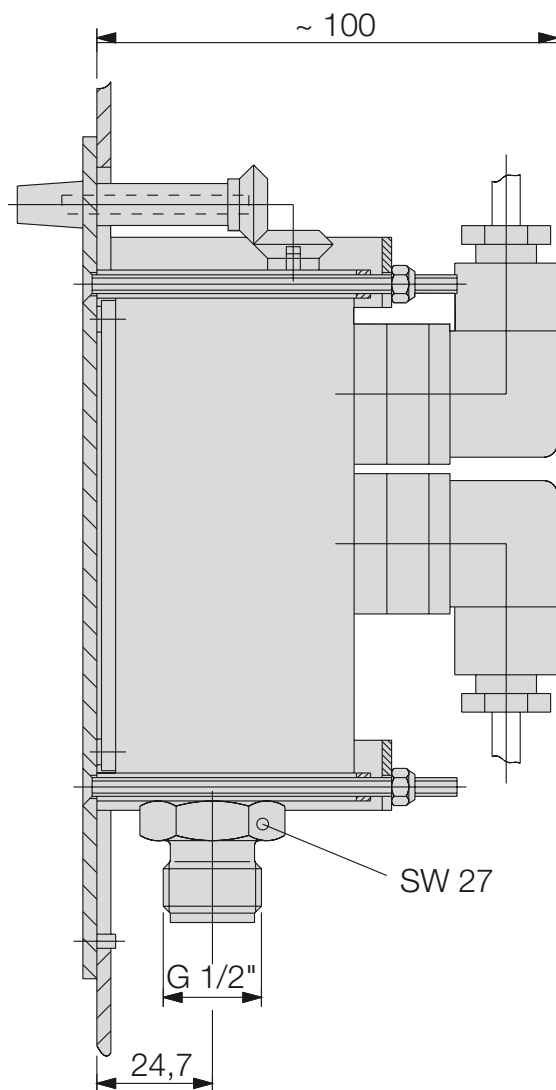
Up to 640 bar same as for pressure gauges according DIN 2353.
Above 640 bar connection thread as shown below, with seal ring dki 1/2" BSP (Ermeto).



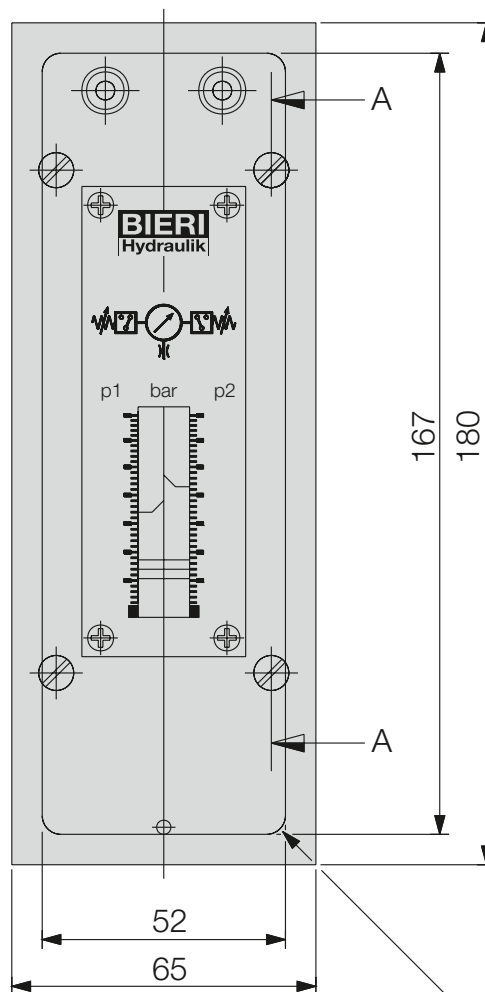


This pressure switch is equipped with the necessary fixation and control elements for panel mounting. Therefore it is possible to set the pressures directly on the control panel or control desk. The technical data and features are the same as for the standard pressure switch for line mounting.

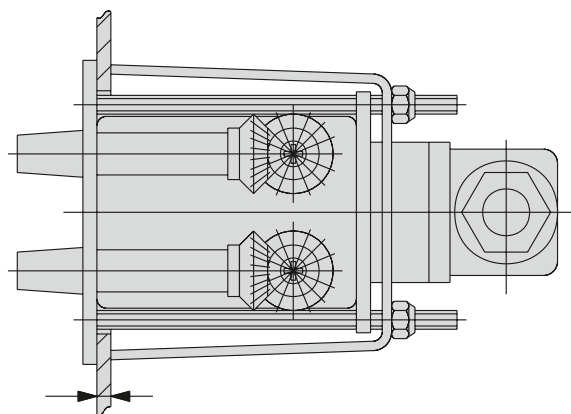
Front panel-set type 28405-DV1 for all pressure switch types. Pressure switch type has to be indicated separately when ordered. Example for an order: DV7.250.29025 with front panel-set 28405-DV1.



Section A-A



Cutout in the panel



Panel thickness 1-6 mm

As we are constantly improving our products, we keep us the right to change the technical specifications without prior notice.

Bieri Hydraulik AG
 Könizstrasse 274
 CH-3097 Liebefeld/Switzerland
 Tel. +41 31 970 09 09
 Fax +41 31 970 09 10
 sales@bierihydraulics.com

BIERI
 SWISS HYDRAULICS