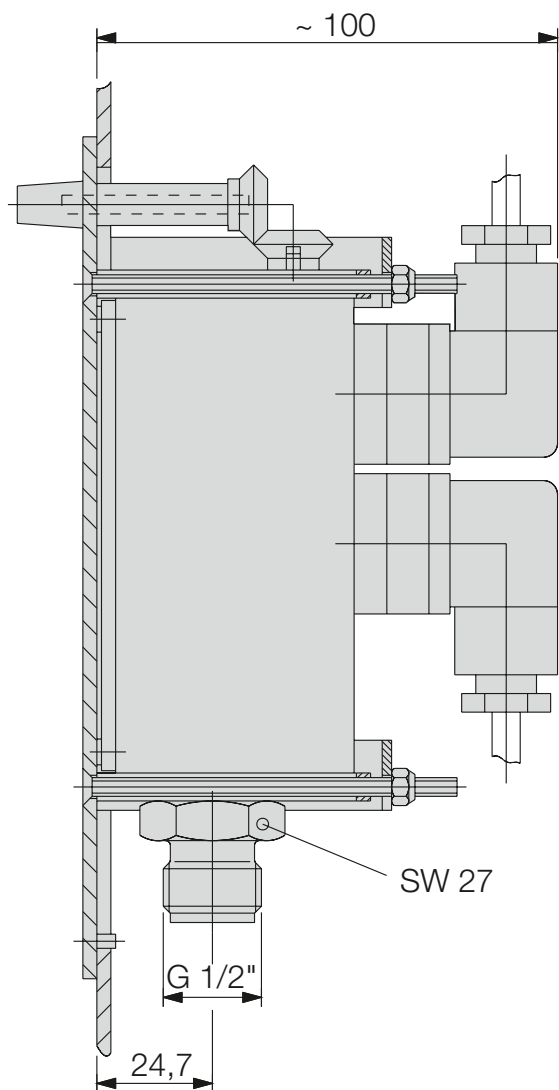


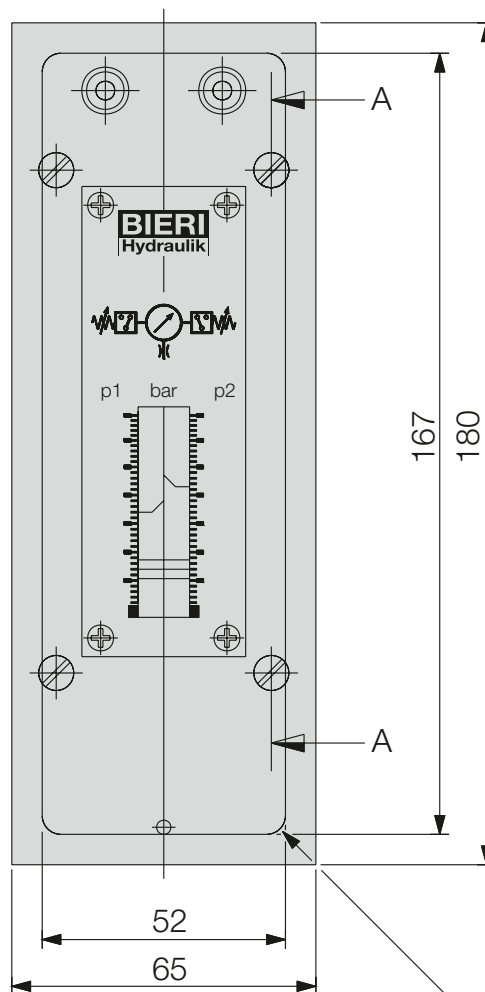


This pressure switch is equipped with the necessary fixation and control elements for panel mounting. Therefore it is possible to set the pressures directly on the control panel or control desk. The technical data and features are the same as for the standard pressure switch for line mounting.

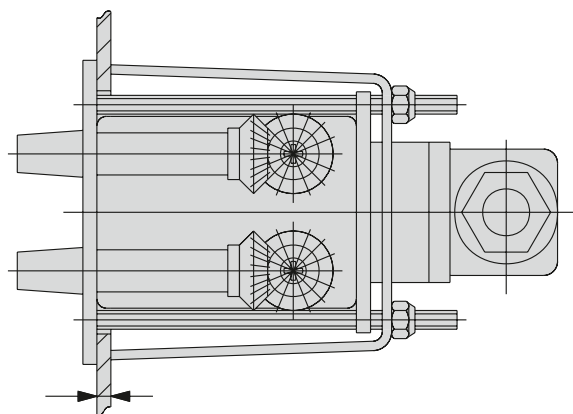
Front panel-set type 28405-DV1 for all pressure switch types. Pressure switch type has to be indicated separately when ordered. Example for an order: DV7.250.29025 with front panel-set 28405-DV1.



Section A-A



Cutout in the panel



Panel thickness 1-6 mm

As we are constantly improving our products, we keep us the right to change the technical specifications without prior notice.

**Bieri Hydraulik AG**  
 Könizstrasse 274  
 CH-3097 Liebefeld/Switzerland  
 Tel. +41 31 970 09 09  
 Fax +41 31 970 09 10  
 sales@bierihydraulics.com

**BIERI**  
 SWISS HYDRAULICS