

The oil level switch with technical and economical advantages!

- Small dimensions
- Guaranteed potentialfree switching
- Every length up to 1200 mm possible
- Directly threaded into the tank cover

Various types available:

- one level contact
- two level contacts
- one level and one temperature contact
- two level and one temperature contact

| | |
|--------------------------|-----------------------------|
| Oil level switch | Type FS |
| Temp. up to 90 °C | Length up to 1200 mm |



Applications

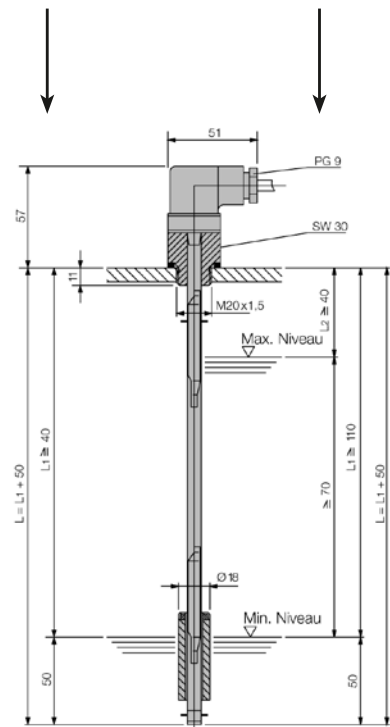
To guarantee an unobjectionable function, the oil level switch shall never be mounted nearby the filler neck or the oil return.

Technical data

| | | |
|-----------------------------|-----------------|-------------------------|
| Thread size | | M 20 x 1,5 |
| Mounting position | | vertical ± 10° |
| Instrument plug | | DIN 43650 |
| Degree of protection | | IP 65 |
| Switching voltage | level | max. 230 VAC/230 VDC |
| | temperature | max. 250 VAC/250 VDC |
| Switching current | level | max. 0,8 A/0,8 A ind. |
| | temperature | max. 2,5 A/1,6 A ind. |
| | temperature | min. 50 mA |
| Switching capacity | level | max. 20 W/26 VA |
| Temperature hysteresis | | max. 25 °C |
| Temperature accuracy | | ± 10% |
| Temperature switching point | normally closed | + 55/70/80/90 °C |
| | normally open | + 60/70/80/90 °C |
| Contact function | | normally closed or open |
| Medium | | mineral oil |

| | |
|--------------------------|-----------------------------|
| Oil level switch | Type FS |
| Temp. up to 90 °C | Length up to 1200 mm |

| Type | Contact function | Part. no. | Wiring diagram | Dimensions |
|---------------------------------|---------------------------------|-----------|----------------|--|
| Min. level | normally open | 34200 | | Left side for min. level Right side for max. + Min. level |
| Min. level | normally closed | 34201 | | 34200 34201 34202 34203 |
| Min. level + temperature | normally open | 34202 | | 34204 34205 34206 34207 34208 34209 |
| Min. level + temperature | normally closed | 34203 | | |
| Max. + Min. level | normally open | 34204 | | |
| Max. + Min. level | normally closed | 34205 | | |
| Min. level + temperature | normally open | 34206 | | |
| Max. + Min. level + temperature | normally closed | 34207 | | |
| Max. + Min. level | normally open / normally closed | 34208 | | |
| Min. level + temperature | normally open / normally closed | 34209 | | |



Please indicate levels/temperature when placing your order.

Other types available on request.

As we are constantly improving our products, Bieri reserves the right to make changes to the technical specification without prior notice.

FS-EN-0209

Bieri Hydraulik AG
Könizstrasse 274
CH-3097 Liebefeld/Switzerland
Tel. +41 31 970 09 09
Fax +41 31 970 09 10
sales@bierihydraulics.com

BIERI
SWISS HYDRAULICS