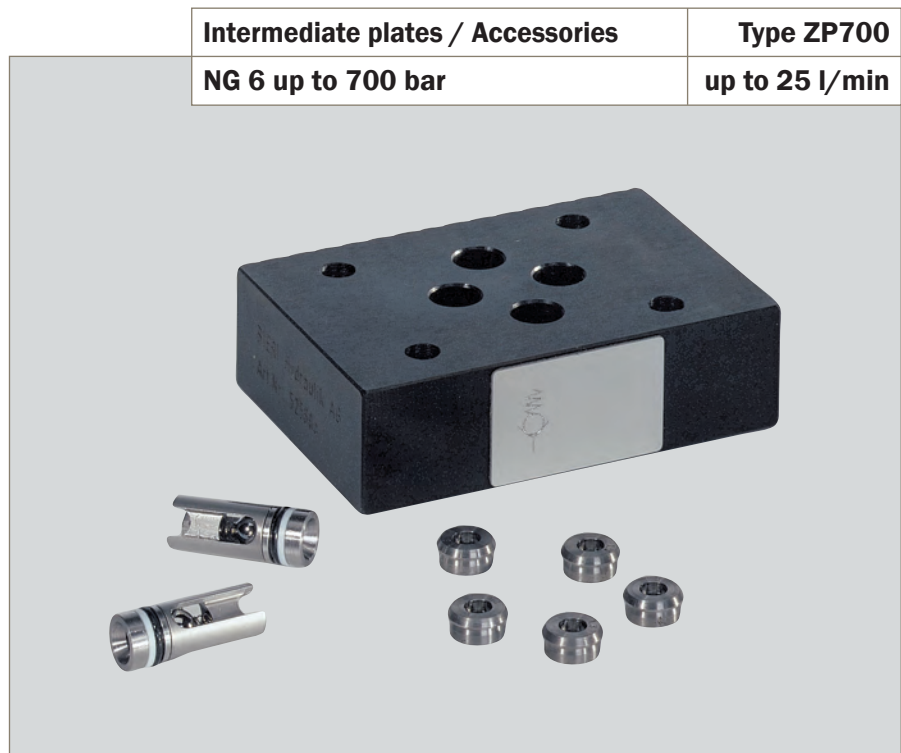


Features

- Intermediate plates for the installation of orifices and check valves
- Intermediate plates with threaded connections for measuring instruments
- Check valves and orifices



Technical data

Hydraulic fluid	mineral oil according to DIN 51524 (other fluids on request)
Fluid temperature range	NBR: -30 to 80 °C FPM: -20 to 80 °C
Ambient temperature range	-30 to 50 °C
Viscosity range	5 to 400 mm ² /s
Porting	NG 6 according to DIN 24340 / ISO 4401 / CETOP RP 121 H
Operating pressure max. connection P, A, B	700 bar
Pressure admissible max. connection T	350 bar
Flow rate max.	25 l/min
Filtration	according to NAS 1638, class 6 or ISO/DIN 4406 17/15/12
Weight	see dimension drawings
Material	steel: galvanized, black chromated

Accessories

For each intermediate plate the following is included:
4 pieces O-rings 9,25 x 1,78 mm, 90° ShA, part no. 900195

Intermediate plates / Accessories	Type ZP700
NG 6 up to 700 bar	up to 25 l/min

Intermediate plates

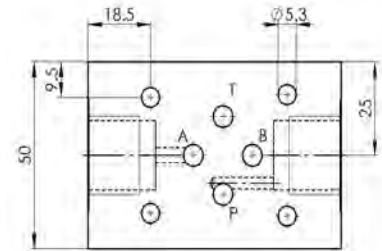
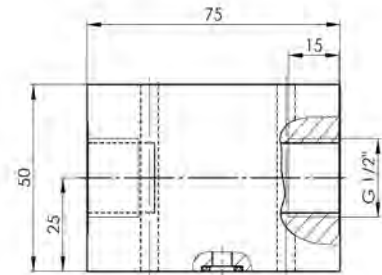
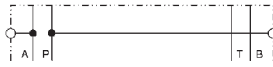
Design revision A

Weight 1,3 kg

Type

ZP700-6-PA-G1/2-P-A*00

ZP700-6-PA-G1/2-V-A*00



Intermediate plates

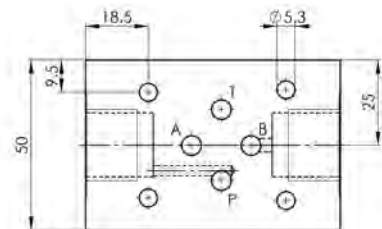
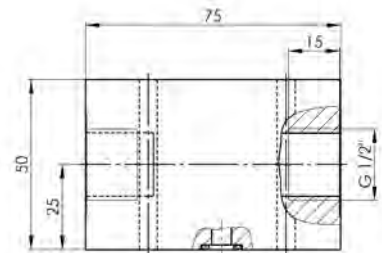
Design revision A

Weight 1,3 kg

Type

ZP700-6-PB-G1/2-P-A*00

ZP700-6-PB-G1/2-V-A*00



Intermediate plates

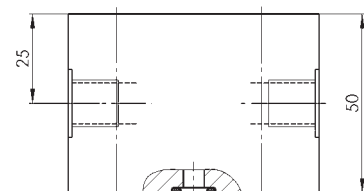
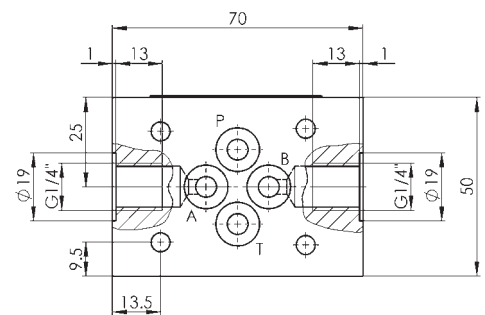
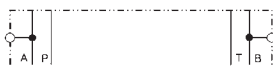
Design revision A

Weight 1,3 kg

Type

ZP700-6-AB-G1/4-P-A*00

ZP700-6-PB-G1/4-V-A*00



Intermediate plates

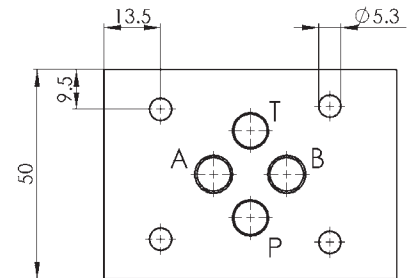
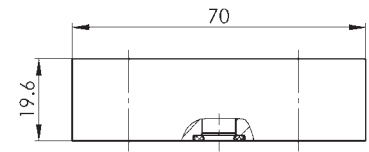
Design revision A

Weight 0,5 kg

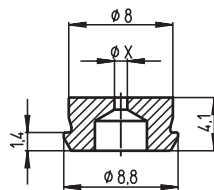
Type

ZP700-6-P-A*00

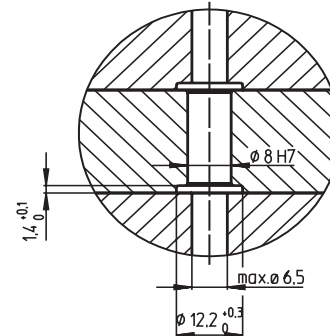
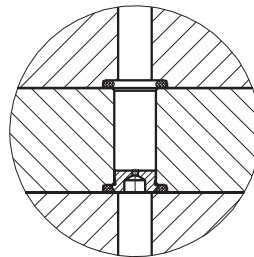
ZP700-6-V-A*00

**Orifices**

$\varnothing X$	part no.	$\varnothing X$	part no.	$\varnothing X$	part no.
0,4	55428	1,0	52665	1,6	55439
0,5	55429	1,1	55434	1,7	55440
0,6	55430	1,2	55435	1,8	55441
0,7	55431	1,3	55436	1,9	55442
0,8	55432	1,4	55437	2,0	55443
0,9	55433	1,5	55450		

Dimension drawing

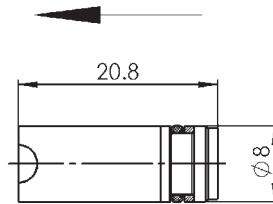
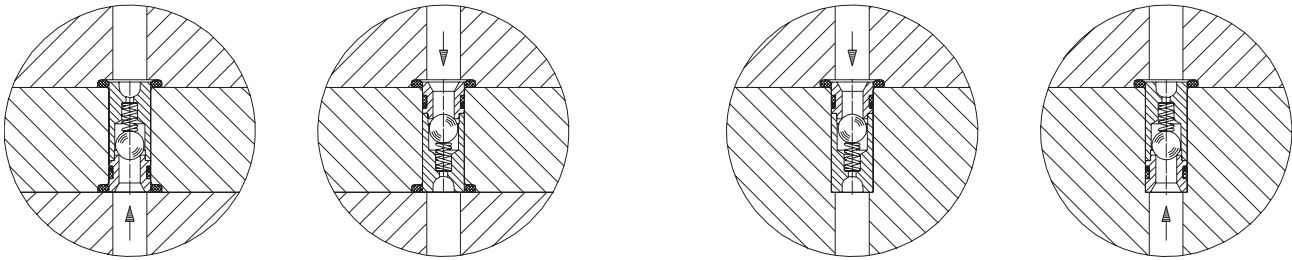
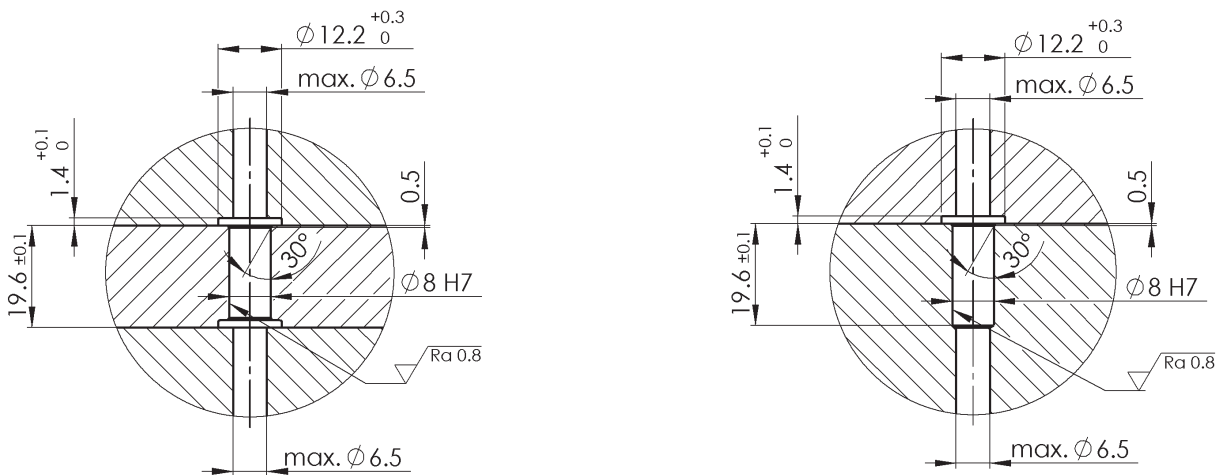
Only usable with ZP700-6-P and
ZP700-6-V D=8.

Installation drawing

Intermediate plates / Accessories	Type ZP700
NG 6 up to 700 bar	up to 25 l/min

Check valve

part no. for

NBR
54284**FPM**
57073Only usable with ZP700-6-P and
ZP700-6-V D=8. Δp at 25 l/min approx. 6 bar**Possibilities for installation****Mounting holes**

As we are constantly improving our products, Bieri reserves the right to make changes to the technical specification without prior notice.

Bieri Hydraulik AG
Könizstrasse 274
CH-3097 Liebefeld/Switzerland
Tel. +41 31 970 09 09
Fax +41 31 970 09 10
sales@bierihydraulics.com

BIERI
HYDAC INTERNATIONAL