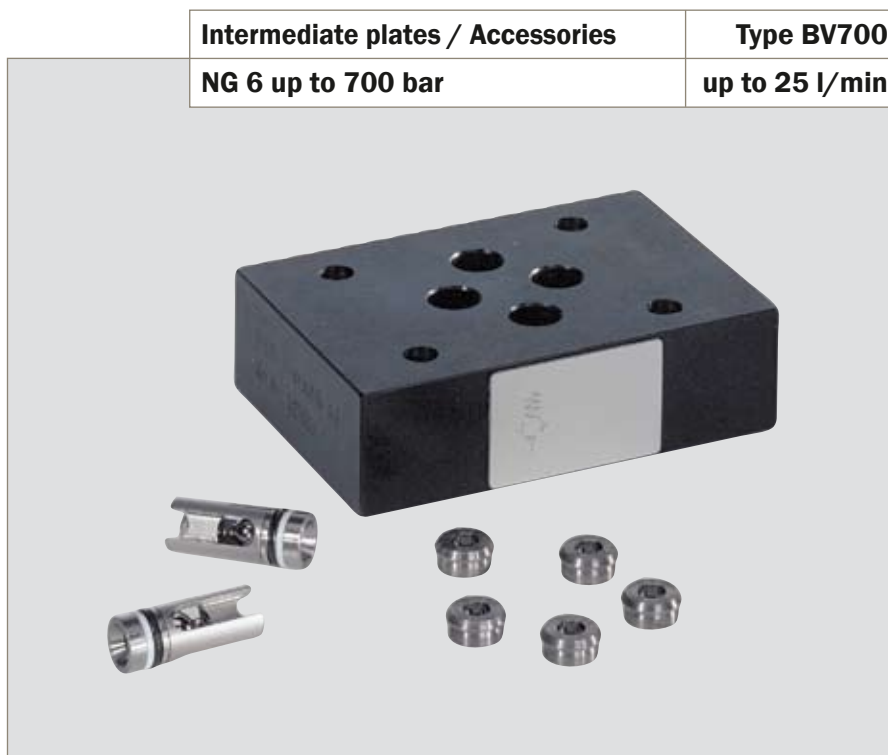


Features

- Intermediate sub-plates for the installation of orifices and check valves
- Intermediate sub-plates with threaded connections for measuring instruments
- Check valves and orifices



Technical data

Hydraulic fluid	mineral oil according to DIN 51524 (other fluids on request)
Fluid temperature range	NBR: -30 to 80 °C FPM: -20 to 80 °C
Ambient temperature range	-30 to 50 °C
Viscosity range	5 to 400 mm ² /s
Porting	NG 6 according to DIN 24340 / ISO 4401 / CETOP RP 121 H
Operating pressure max. connection P, A, B	700 bar
Pressure admissible max. connection T	350 bar
Flow rate max.	25 l/min
Filtration	according to NAS 1638, class 6 or ISO/DIN 4406 15/12
Weight	see dimension drawings
Material	steel: blued

Accessories

For each intermediate sub-plate the following is included:
4 pieces O-rings 9,25 x 1,78 mm, 90° ShA, part no. 900195

Intermediate plates / Accessories	Type BV700
NG 6 up to 700 bar	up to 25 l/min

Intermediate sub-plates

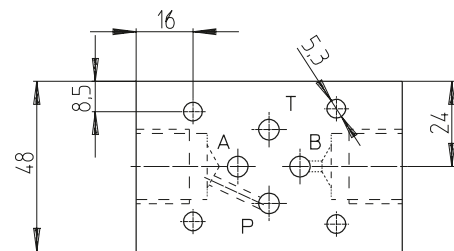
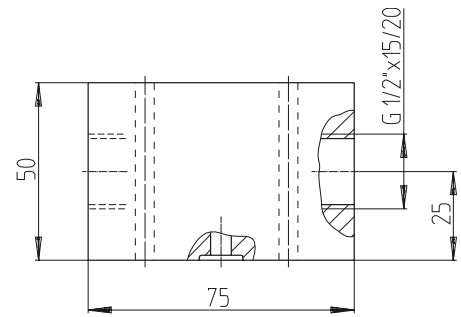
Design revision A

Weight 1,3 kg

Type

ZP700-6-PA-G1/2-P-A*00

ZP700-6-PA-G1/2-V-A*00

**Intermediate sub-plates**

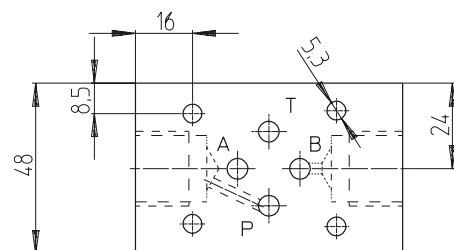
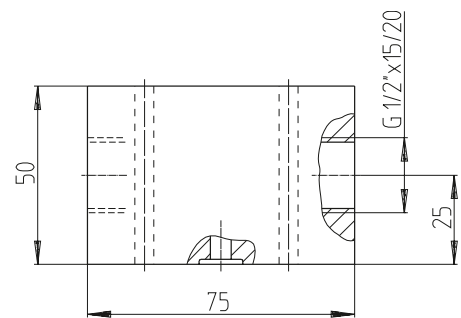
Design revision A

Weight 1,3 kg

Type

ZP700-6-PB-G1/2-P-A*00

ZP700-6-PB-G1/2-V-A*00



Intermediate sub-plates

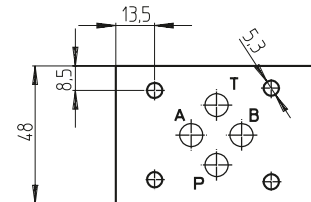
Design revision A

Weight 0,5 kg

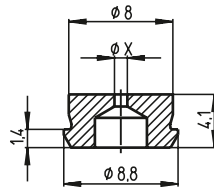
Type

ZP700-6-P-A*00

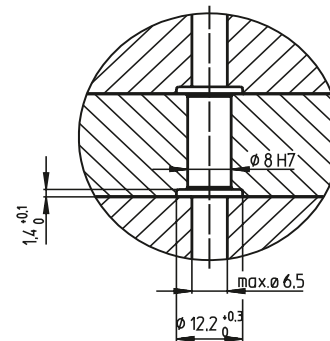
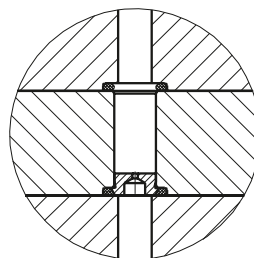
ZP700-6-V-A*00

**Orifices**

$\varnothing X$	part no.	$\varnothing X$	part no.	$\varnothing X$	part no.
0,4	55428	1,0	52665	1,6	55439
0,5	55429	1,1	55434	1,7	55440
0,6	55430	1,2	55435	1,8	55441
0,7	55431	1,3	55436	1,9	55442
0,8	55432	1,4	55437	2,0	55443
0,9	55433	1,5	55450		

Dimension drawing

Only usable with ZP700-6-P and
ZP700-6-V D=8.

Installation drawing

Intermediate plates / Accessories	Type BV700
NG 6 up to 700 bar	up to 25 l/min

Check valve

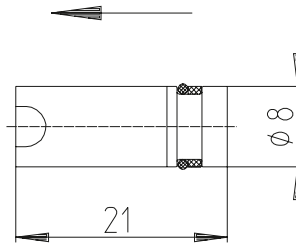
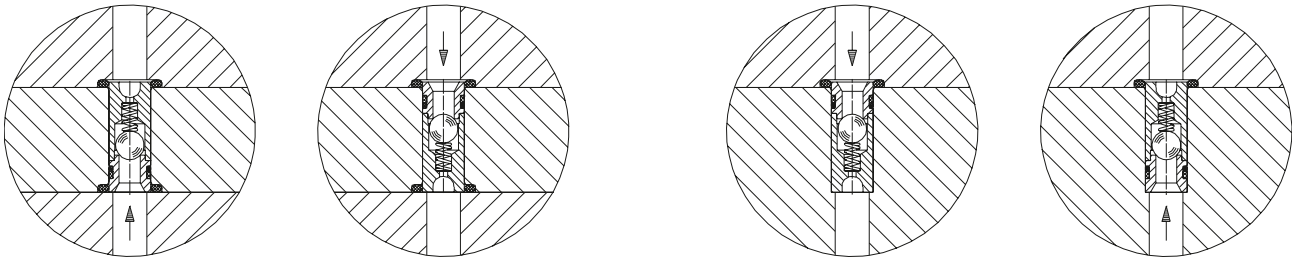
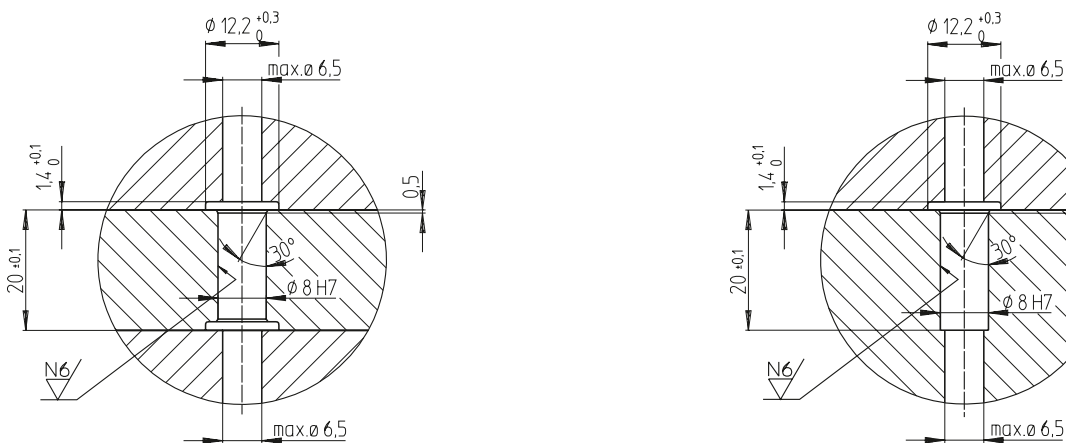
part no. for

NBR

54284

FPM

57073

Only usable with ZP700-6-P and
ZP700-6-V D=8. Δp at 25 l/min approx. 6 bar**Possibilities for installation****Counter bore holes**

As we are constantly improving our products,
we keep us the right to change the technical
specifications without prior notice.

ZP-EN-0608

Bieri Hydraulik AG

Könizstrasse 274
CH-3097 Liebefeld/Switzerland
Tel. +41 31 970 09 09
Fax +41 31 970 09 10
sales@bierihydraulics.com

BIERI
SWISS HYDRAULICS