

MICRO-Axial piston pumps

Type AKP103/105

up to 500 bar

0.1 to 0.3 cm³/rev

Features

- High volumetric efficiency (also by very low speed rates)
- Low noise level
- Wide speed range
- Continuous self lubrication and cooling through the suction flow
- Small mounting dimensions
- Automatic venting by raising and lowering the pressure or by switching the motor on and off several times
- Venting time can be shortened essentially through a pre-filling

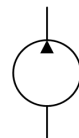


Design

- Offshore
- Oil and gas
- Oceanographic research devices, ROVs
- Handling systems
- Hydraulics systems with small displacements
- Usable even in unfavourable ambient conditions
- Small power units

Applications

- Design with 3 or 5 pistons
- Valve controlled on pressure and suction side (not usable as motor)
- Wobble shaft with amply dimensioned rolling bearings
- Rotating wobble plate



Technical data

Hydraulic fluid	mineral oil according to DIN 51524 (other fluids on request)
Fluid temperature range	-20 to 80 °C
Ambient temperature range	-30 to 50 °C
Viscosity range	5 to 220 mm ² /s
Max. operating pressure	500 bar
Operating pressure suction side	-0.2 bar to 0.5 bar gauge pressure
Filtration (recommendation)	according to NAS 1638 class 6 resp. ISO/DIN 4406 17/15/12
Axial force onto driving shaft	can't be taken up
Radial force onto driving shaft	on request
Max. rotation speed	5000 rpm
Direction of rotation	any
Installation position	according to mounting drawing
Weight	see overview "Product information"
Materials	housing: aluminium anodised pump head: steel browned

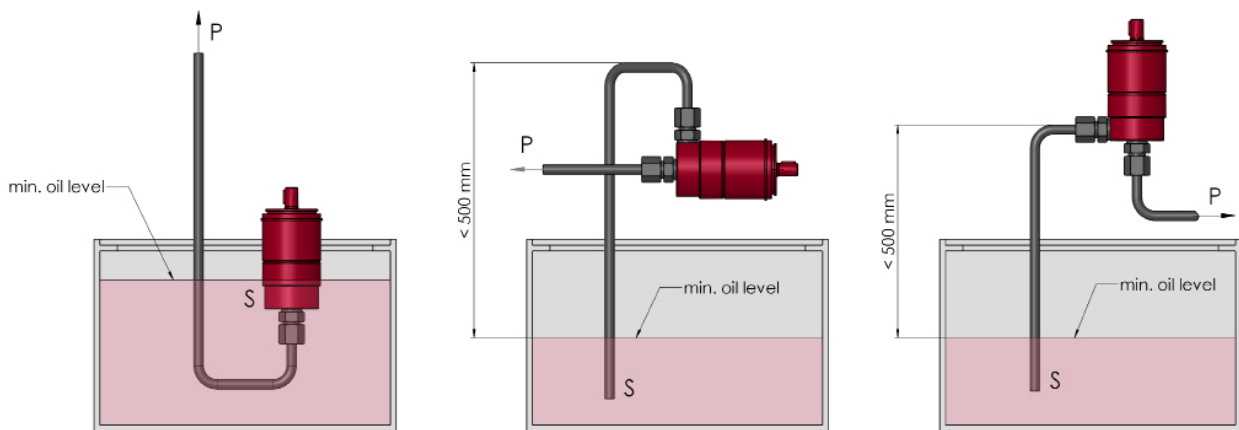
Type AKP103/105

up to 500 bar
0.1 to 0.3 cm³/rev

Type code

Example		AKP	103	-	0,1	-	500	-	V	-	A		00
MICRO-Axial piston pumps													
Size	103 105												
Displacement volume [cm³/rev]	See overview „product information“												
Max. operating pressure [bar]	See overview „product information“												
Seal material	V FKM other seal materials on request												
		Design 00 ... 99 For internal purposes											
		Index Please leave blank For internal purposes											
		Design revision For internal purposes											

Mounting



Suction filter recommended

Product information

size	displacement volume [cm ³ /rev]	max. operating pressure [bar]	max. rotation speed [rpm]	number of pumping elements	weight [kg]	max. torque [Nm]	max. power [kW]	part no.
103	0.1	500	5000	3	0.9	1.05	0.55	3678021
105	0.3	500	5000	5	0.9	2.99	1.57	3678024

Note: The flange (part no. 3683105) has to be ordered separately!

Calculation of driving motor power

$$P = \frac{p \cdot V_g \cdot n \cdot k}{\eta_t \cdot 600 \cdot 10^3}$$

P = driving power [kW]
 p = operating pressure [bar]
 V_g = displacement volume [cm³/rev]
 n = speed [rpm]
 η_t = overall efficiency approx. 0.75

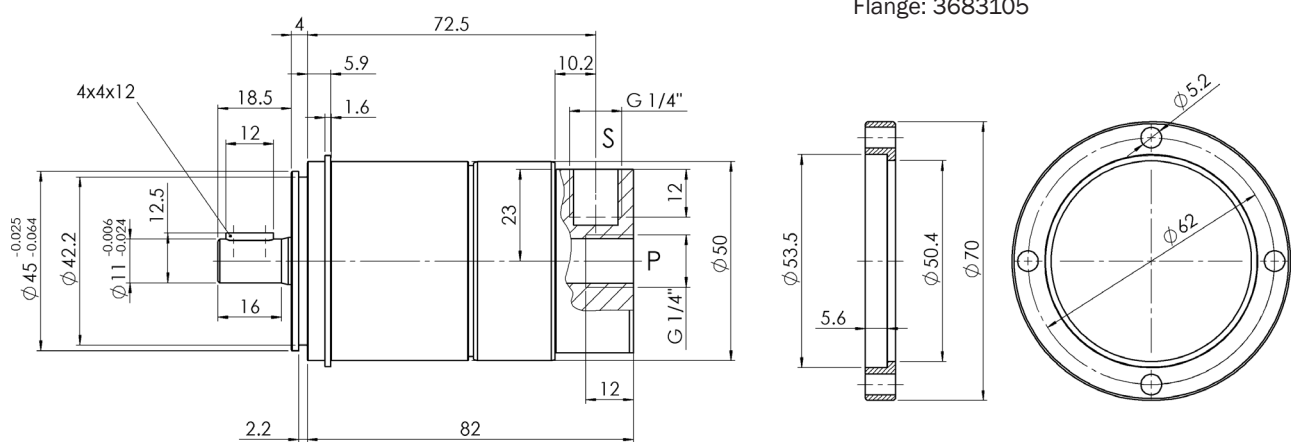
k = pulsation factor
 - with 3 pumping elements: k approx. 1.05
 - with 5 pumping elements: k approx. 1.02

Calculation of driving motor torque

$$M = \frac{p \cdot V_g}{62.8 \cdot \eta_t}$$

M = torque [Nm]

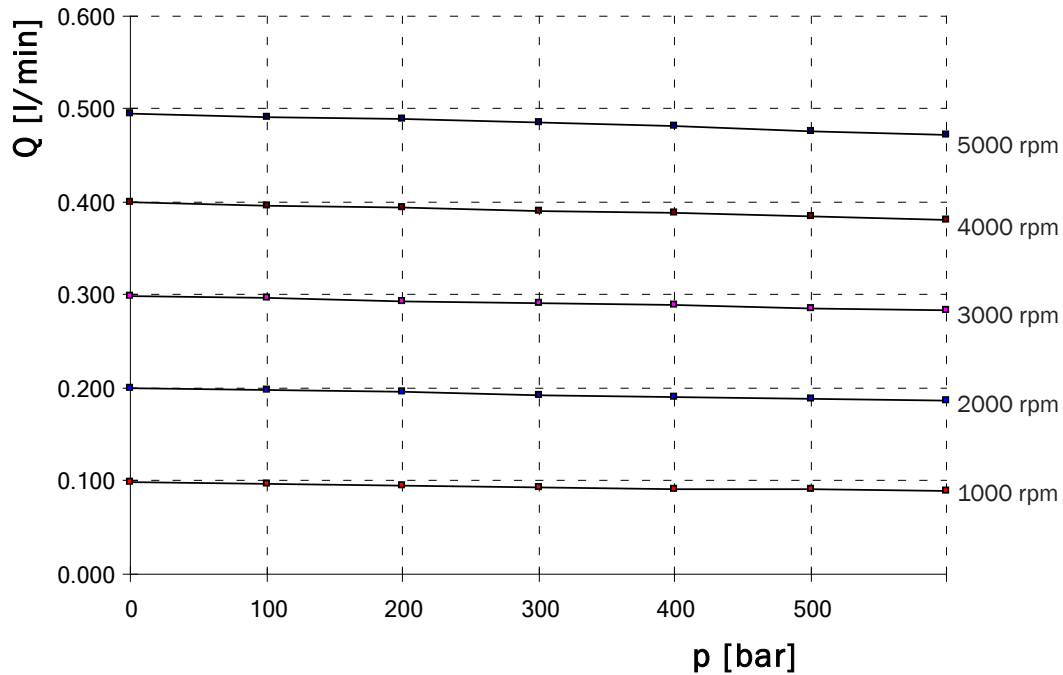
Dimensional drawings



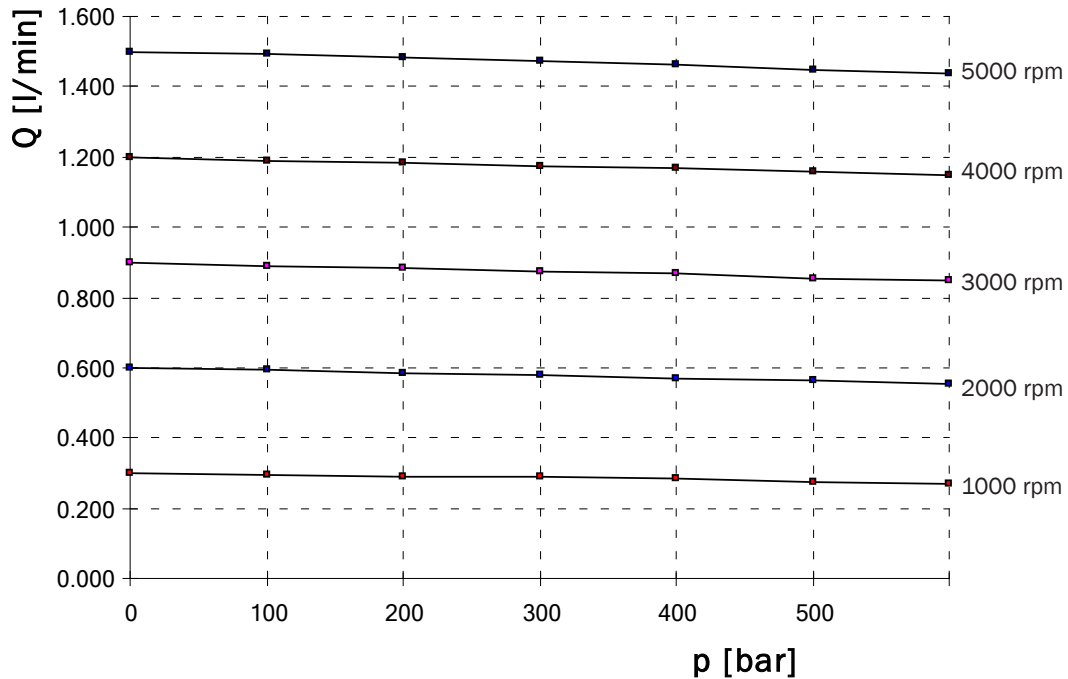
Characteristics

($v = 30 \text{ mm}^2/\text{s}$, $T = 40 \text{ }^\circ\text{C}$)

AKP103



AKP105



Bieri Hydraulik AG

Könizstrasse 274
CH-3097 Liebefeld
Tel. +41 31 970 09 09 | Fax +41 31 970 09 10
info@bierihydraulics.com | www.bierihydraulics.com

The information in this brochure relates to the operating conditions and applications described.

For applications and operating conditions not described, please contact the relevant technical department.

Subject to technical modifications.