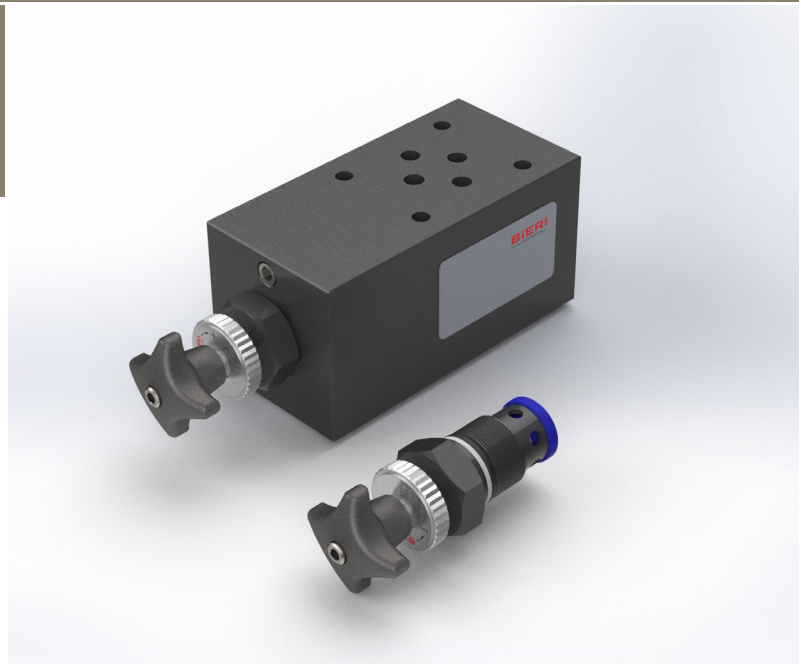


Throttle/Throttle check valves

Type SD700/SDRV700
NG 6 ISO
up to 25 l/min, up to **700 bar**

Features

- Adjustable while under pressure
- High-precision control
- Bi-directional flow



Applications

- To change the speed of movement of a consumer
- Throttle valves for inlet and outlet throttling
- Throttle check valves as screw-in cartridge or intermediate plate valve (for applications where the flow shall be throttled in one direction and be unthrottled in the other direction)

Design

- Cartridge alone or in manifolds
- The valve setting can be locked by a counter nut



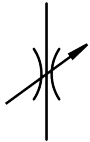
Technical data

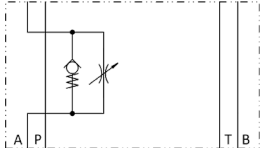
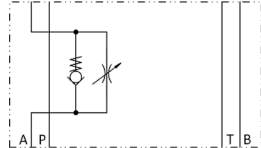
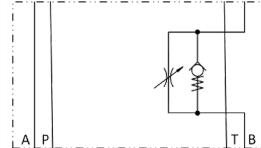
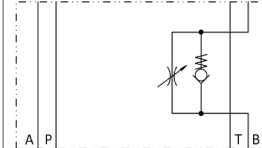
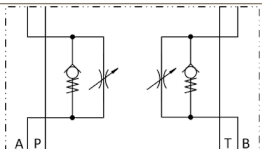
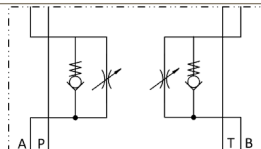
Hydraulic fluid	mineral oil according to DIN 51524 (other fluids on request)
Fluid temperature range	-20 to 80 °C
Ambient temperature range	-30 to 50 °C
Viscosity range	5 to 400 mm ² /s
Porting	NG 6 according to DIN 24340 / ISO 4401 / CETOP RP 121 H
Max. operating pressure connection P, A, B	700 bar
Max. operating pressure connection T	350 bar
Max. flow rate	25 l/min
Filtration (recommendation)	according to NAS 1638 class 6 resp. ISO/DIN 4406 17/15/12
Weight	see overview "Product information"
Materials	valve body: steel, galvanized, black chromated cartridge body: steel supporting ring: cast iron

Type code

Example		SDRV	700	-	6	-	AABB	-	Z	-	V	-	A		00
Throttle valves	SD														
Throttle check valves	SDRV														
Size	700 bar														
Nominal size	6														
Throttle valves															
E	Cartridge														
Throttle check valves															
AA	Throttle check valve in A														
BB	Throttle check valve in B														
AABB	Throttle check valve in A and B														
Direction of throttling															
X	For throttle valve SD														
Z	Outgoing throttling														
A	Return throttling														
Seal material	V FKM														
	other seal materials on request														
Design 00 ... 99 For internal purposes															
Index Please leave blank For internal purposes															
Design revision For internal purposes															

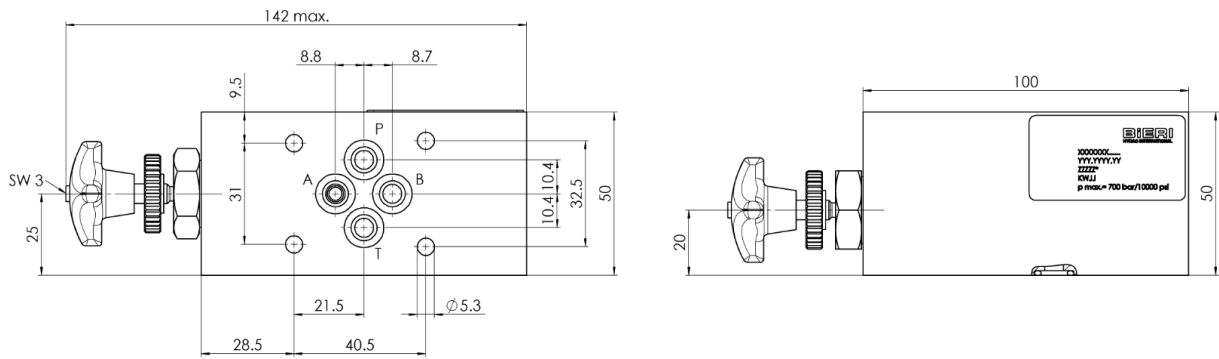
Product information

Valve type	SD
Design	E
Type code	SD700-6-E-X-V-A*00
Part No.	3677847
Symbol	
Weight	0,12 kg

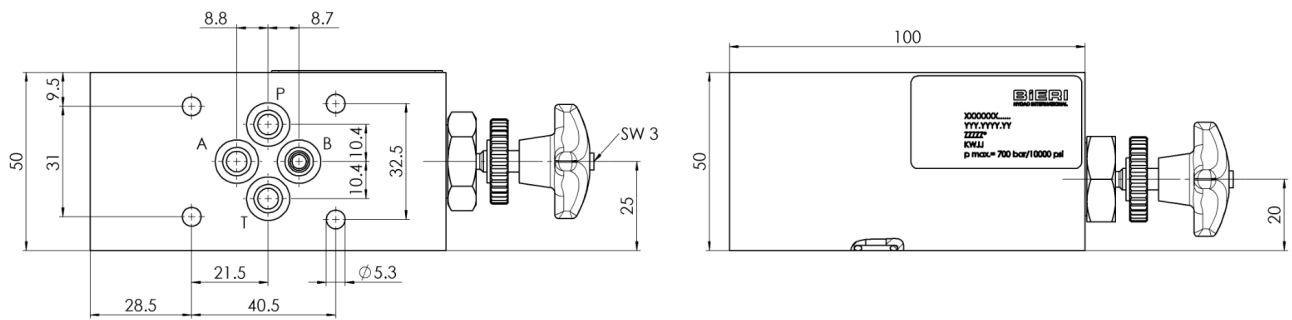
Valve type	SDRV			
Design	AA		BB	
Direction of throttling	A	Z	A	Z
Type code	SDRV700-6-AA-A-V-A*00	SDRV700-6-AA-Z-V-A*00	SDRV700-6-BB-A-V-A*00	SDRV700-6-BB-Z-V-A*00
Part No.	on request	on request	on request	on request
Symbol				
Weight	1,9 kg	1,9 kg	1,9 kg	1,9 kg
Valve type	SDRV			
Design	AABB			
Direction of throttling	A	Z		
Type code	SDRV700-6-AABB-A-V-A*00	SDRV700-6-AABB-Z-V-A*00		
Part No.	on request	on request		
Symbol				
Weight	1,9 kg	1,9 kg		

SDRV700

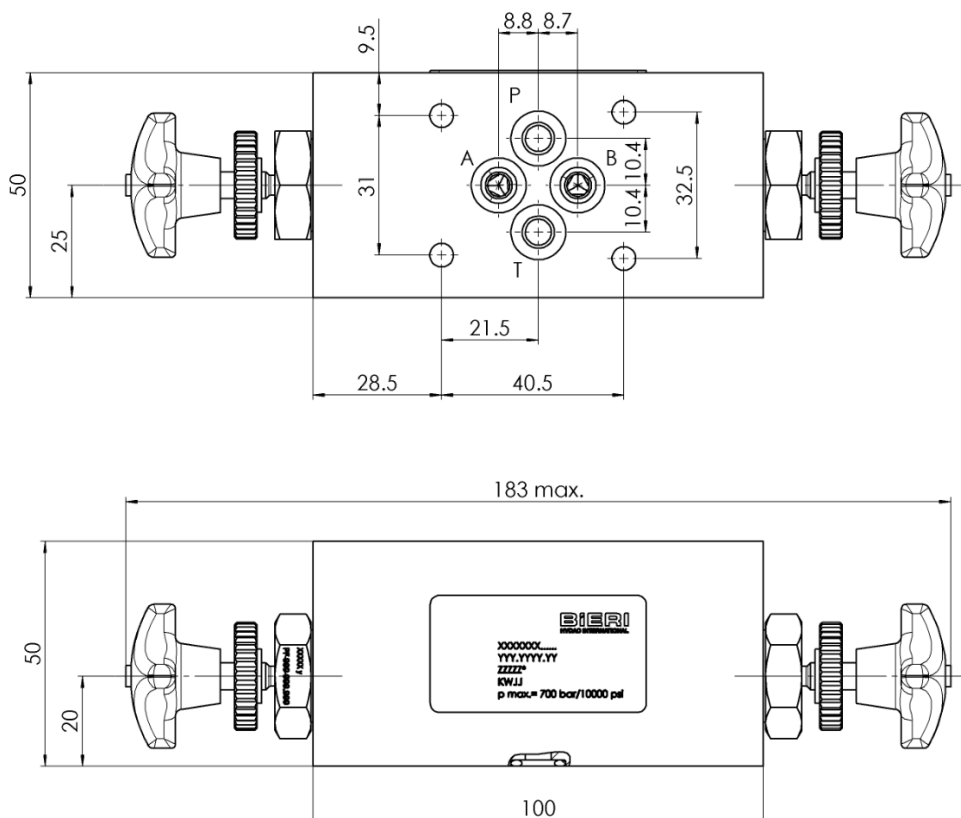
AA



BB



AABB



Pressure drop for throttle valve

