

## Shut-off valves

### Type AV700

NG 6 ISO  
up to 25 l/min, up to **700 bar**

#### Features

- Bidirectional (flow in both directions, independent of pressure port)
- Leakagefree



#### Applications

Shut-off valves are used to shut off and open hydraulic connections at any pressure and pressure difference up to 700 bar. Furthermore, it can also be used as a drain valve against the tank.

#### Design

- As cartridge
- As modular valve

#### Technical data

Hydraulic fluid	mineral oil according to DIN 51524 (other fluids on request)
Fluid temperature range	- 20 to 80 °C
Ambient temperature range	- 30 to 50 °C
Viscosity range	5 to 400 mm <sup>2</sup> /s
Porting	NG 6 according to DIN 24340/ISO 4401/CETOP RP 121 H
Max. operating pressure connection P, A, B	700 bar
Max. operating pressure connection T	350 bar
Max. flow rate	25 l/min
Filtration (recommendation)	according to NAS 1638, class 6 resp. ISO/DIN 4406 17/15/12
Pressure drop	at 25 l/min (fully open) and 32 mm <sup>2</sup> /s: 15 bar
Weight	see overview "Product information"
Material	cartridge body: high strength steel (burnished) valve body: steel, zinc-plated, black chromated adjusting knob: grey cast iron, zinc-plated

## Type AV700

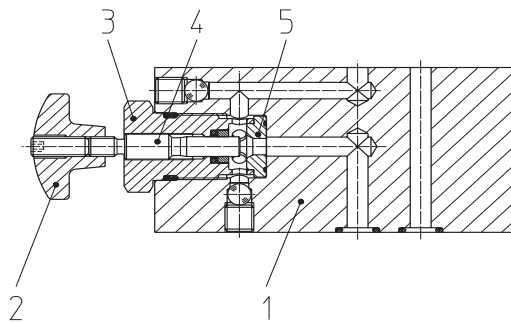
NG 6 ISO  
up to 25 l/min, up to 700 bar

## Type code







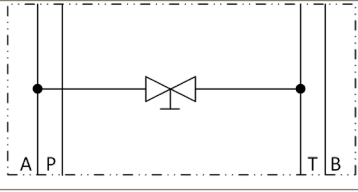
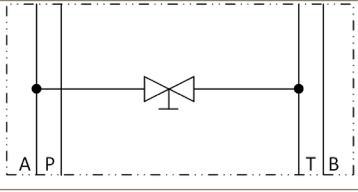
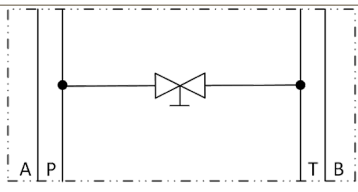
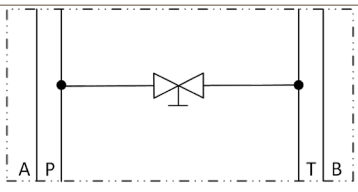
<b>Example</b>	AV	700	-	6	-	E	-	700	-	S	-	V	-	A		00
<b>Shut-off valves</b>																
<b>Size</b>	700 bar															
<b>Nominal size</b>	6															
<b>Design</b>	cartridge E shut-off valve in P PP shut-off valve in P AA shut-off valve in A AT shut-off valve A to T PT shut-off valve P to T															
<b>Max. admissible pressure</b>	700 bar															
<b>Design cartridge</b>	S star knob K locking handle															
<b>Seal material</b>	V FKM other seal materials on request															
	<b>Design</b> 00 ... 99 For internal purposes															
	<b>Index</b> Please leave blank For internal purposes															
	<b>Design revision</b> For internal purposes															

## Design

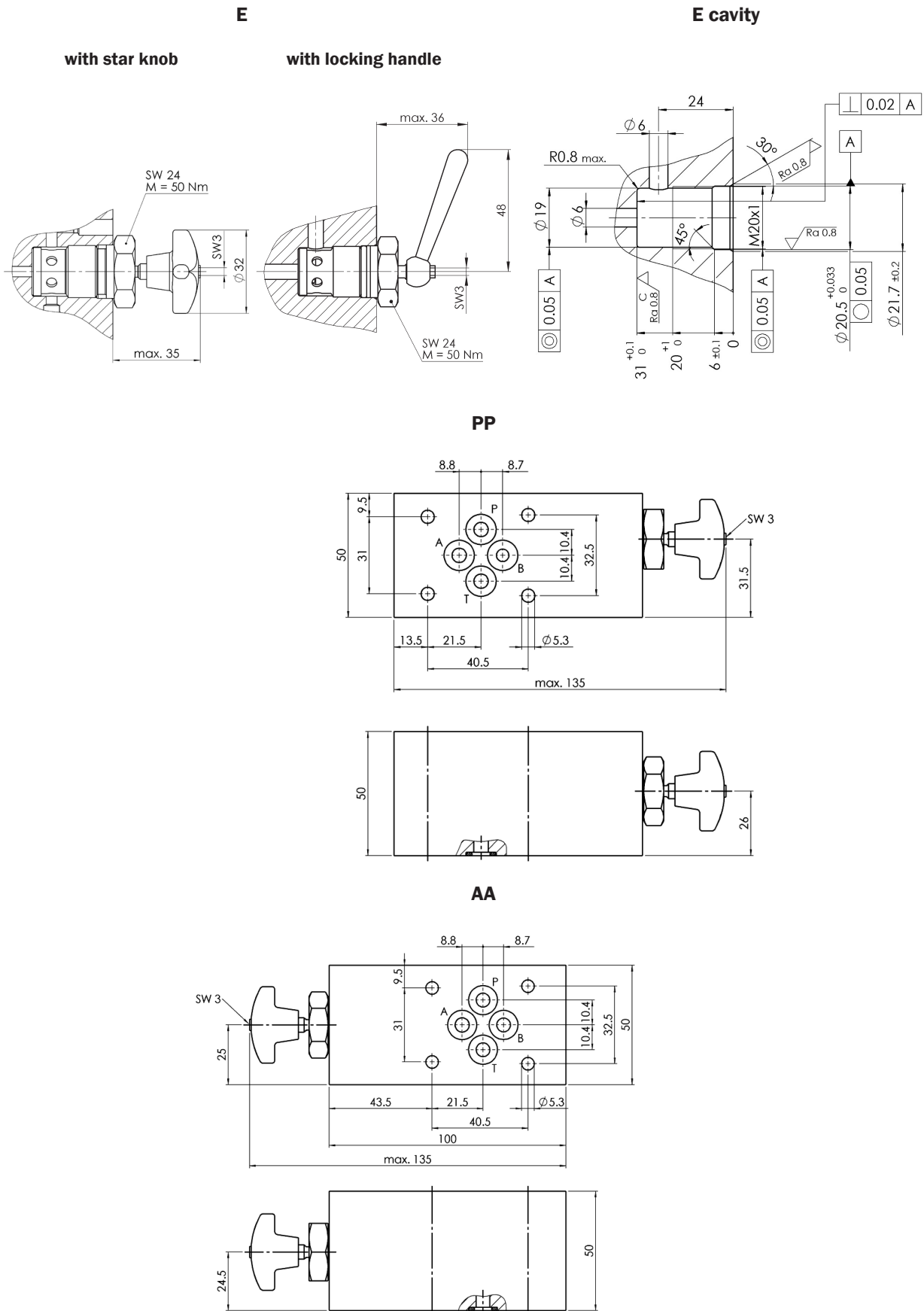
- 1) valve body
- 2) adjusting knob
- 3) cartridge body
- 4) spindle
- 5) seat

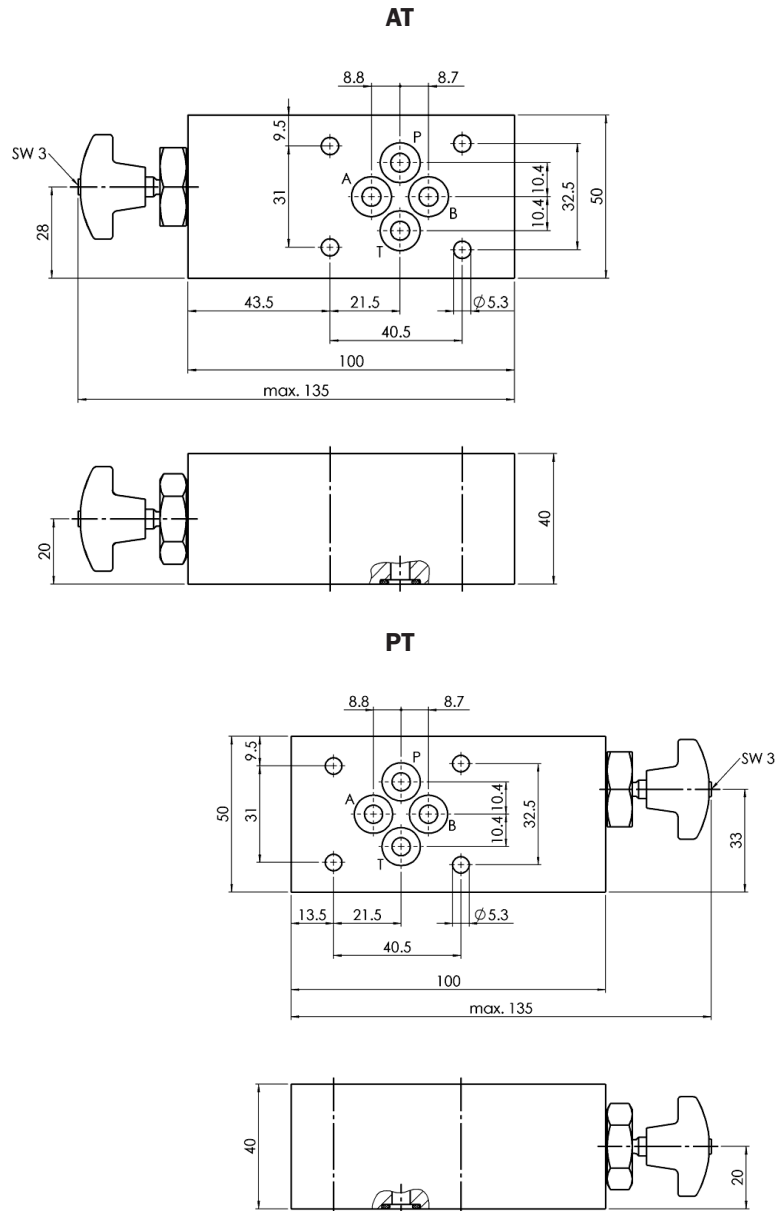


## Product information

Design cartridge	S (star knob)	K (locking handle)
<b>Design</b>	<b>E</b>	
Type code	AV700-6-E-700-S-V-A*00	AV700-6-E-700-K-V-A*00
Part No.	3678553	4052128
Symbol		
Weight	0,12 kg	0,12 kg
<b>Design</b>	<b>PP</b>	
Type code	AV700-6-PP-700-S-V-A*00	AV700-6-PP-700-K-V-A*00
Part No.	3678565	4052131
Symbol		
Weight	1,9 kg	1,9 kg
<b>Design</b>	<b>AA</b>	
Type code	AV700-6-AA-700-S-V-A*00	AV700-6-AA-700-K-V-A*00
Part No.	3678548	4052132
Symbol		
Weight	1,9 kg	1,9 kg
<b>Design</b>	<b>AT</b>	
Type code	AV700-6-AT-700-S-V-A*00	AV700-6-AT-700-K-V-A*00
Part No.	3678551	4052133
Symbol		
Weight	1,51 kg	1,51 kg
<b>Design</b>	<b>PT</b>	
Type code	AV700-6-PT-700-S-V-A*00	AV700-6-PT-700-K-V-A*00
Part No.	3678566	4052134
Symbol		
Weight	1,51 kg	1,51 kg

### Dimensional drawings





### Scope of delivery

For each valve the following is included:  
4 pieces O-rings 9,25 x 1,78 mm, 90° ShA

### Spare parts

Item description	Part No.
4 x O-ring 9,25 x 1,78, FKM, 90 Shore A	4484542
1 x O-ring 13 x 1,5, FKM, 80 Shore A	
1 x O-ring 17,17 x 1,78, FKM, 90 Shore A	
1 x support ring	
Protective cover 76 x 45 x 10	4007851

### Accessories

Tie bolts/ fixing screws and subplates are optionally available,  
see technical data sheet AP700/RP700/EP700

### Bieri Hydraulik AG

Könizstrasse 274  
CH-3097 Liebefeld  
Tel. +41 31 970 09 09 | Fax +41 31 970 09 10  
info@bierihydraulics.com | www.bierihydraulics.com

The information in this brochure relates to the operating conditions and applications described.

For applications and operating conditions not described, please contact the relevant technical department.

Subject to technical modifications.