

Shut-off valves

Type AVM

NG 4 Bieri
up to 25 l/min, up to **700 bar**

Features

- Bidirectional (flow in both directions, independent of pressure port)
- Leakagefree



Applications

The AVM belongs to the 700 bar series and is a directly controlled, manually operated shut-off valve. Its function is to shut off and open a hydraulic connections at any pressure and pressure difference up to 700 bar. Furthermore, it can also be used as a drain valve against the tank.

Design

- With hardened cone and seat
- As cartridge
- As plate valve with a shut-off valve cartridge
- The cartridge is adjusted via handle



Technical data

Hydraulic fluid	mineral oil according to DIN 51524 (other fluids on request)	
Fluid temperature range	-20 to 80 °C	
Ambient temperature range	-30 to 50 °C	
Viscosity range	5 to 400 mm ² /s	
Porting	NG 4 according to Bieri standard	
Max. operating pressure connection 1	700 bar	
Max. operating pressure connection 2	700 bar	
Max. flow rate	25 l/min	
Filtration (recommendation)	according to NAS 1638 class 6 resp. ISO/DIN 4406 17/15/12	
Pressure drop	at 12 l/min (fully open) and 32 mm ² /s: 6 bar at 25 l/min (fully open) and 32 mm ² /s: 19 bar	
Weight	see overview "Product information"	
Material	cartridge body:	high strength steel (burnished)
	valve body:	corrosion-free steel
	handle:	grey cast iron


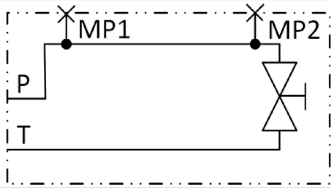
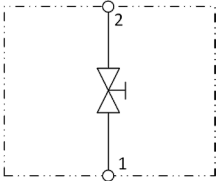
Type AVM

NG 4 Bieri
up to 25 l/min, up to 700 bar

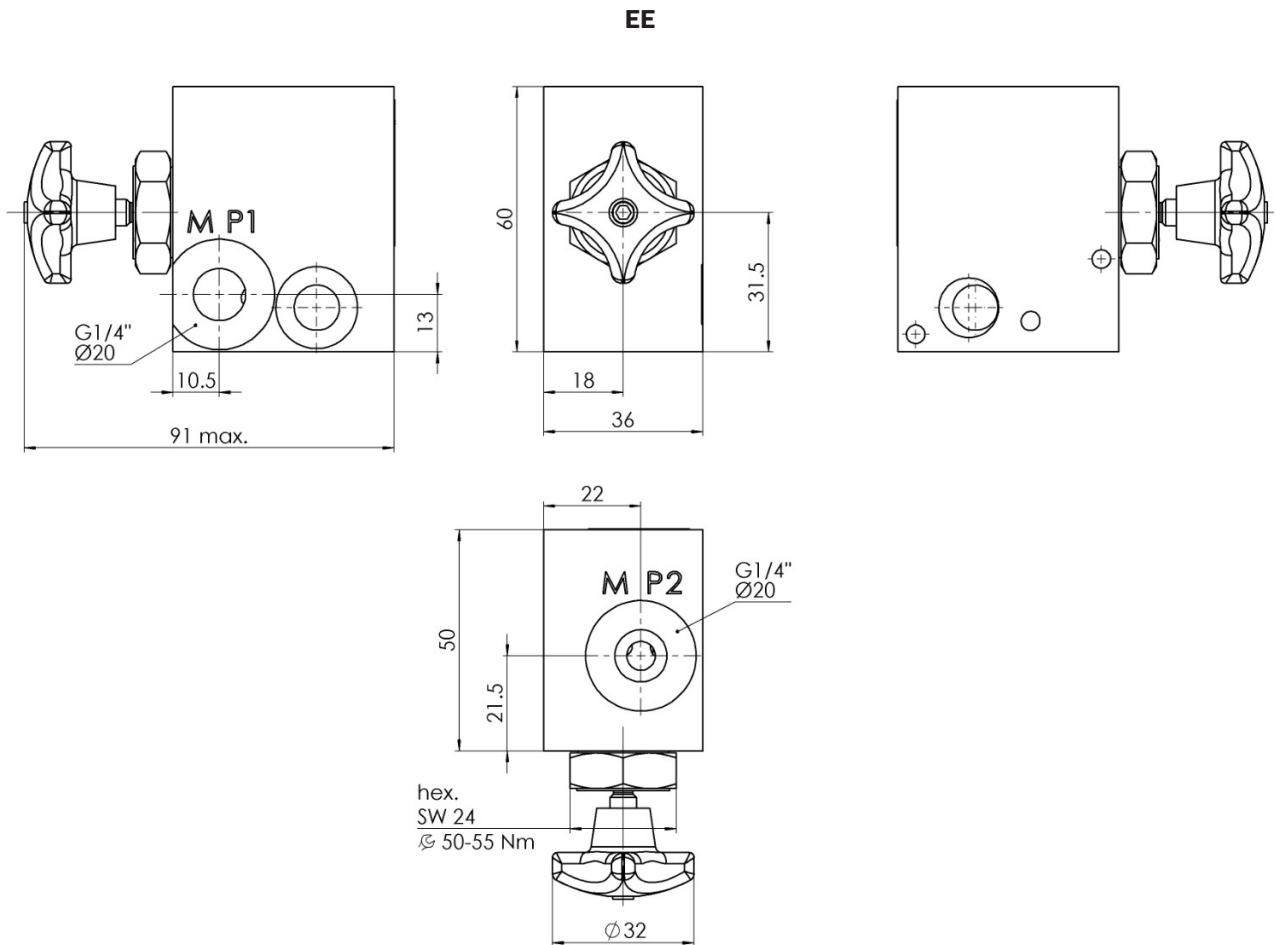
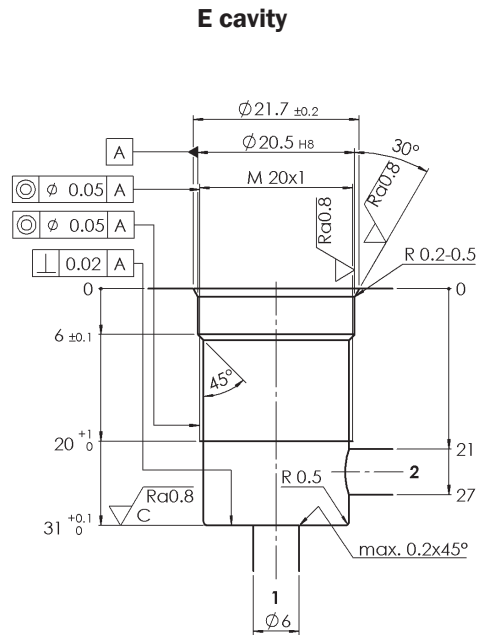
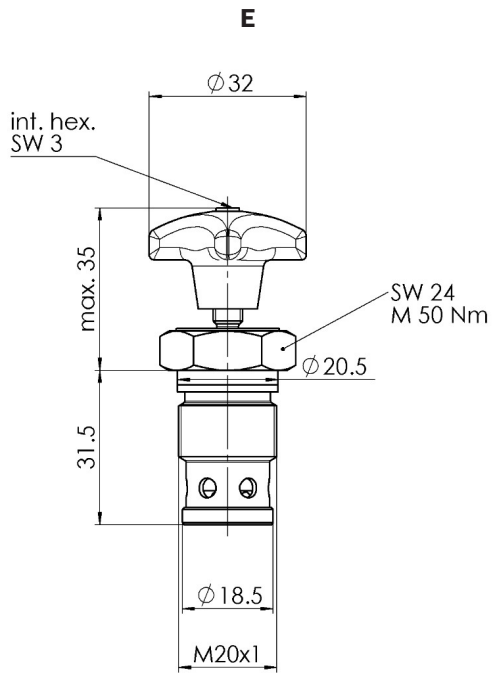
Type code

Example	AV M - 4B - EE - S - V - A - 00	
Shut-off valves		Design 00 ... 99 For internal purposes
Size	700 bar	Index Please leave blank For internal purposes
Nominal size	4 ...	Desing revision For internal purposes
Cartridge	... E	
Connection Bieri	... B	
In-line body	... R	
Design	<p>X cartridge</p> <p>EE in the endplate for valve bank with 2 ports G1/4 (e.g. manometer and pressure switch)</p> <p>G3/8 in-line mounting manifold with G3/8" connection threads</p>	
Control method	S star knob	
Seal material	V FKM other seal materials on request	

Product information

Connection	4E	4B
Design	X	EE
Type code	AVM-4E-X-S-V-A*00	AVM-4B-EE-S-V-A*00
Part No.	3830763	3830764
Symbol		
Weight	0,12 kg	0,2 kg
Connection	4R	
Design	G3/8	
Type code	AVM-4R-G3/8-S-V-A*00	
Part No.	3830775	
Symbol		
Weight	0,2 kg	

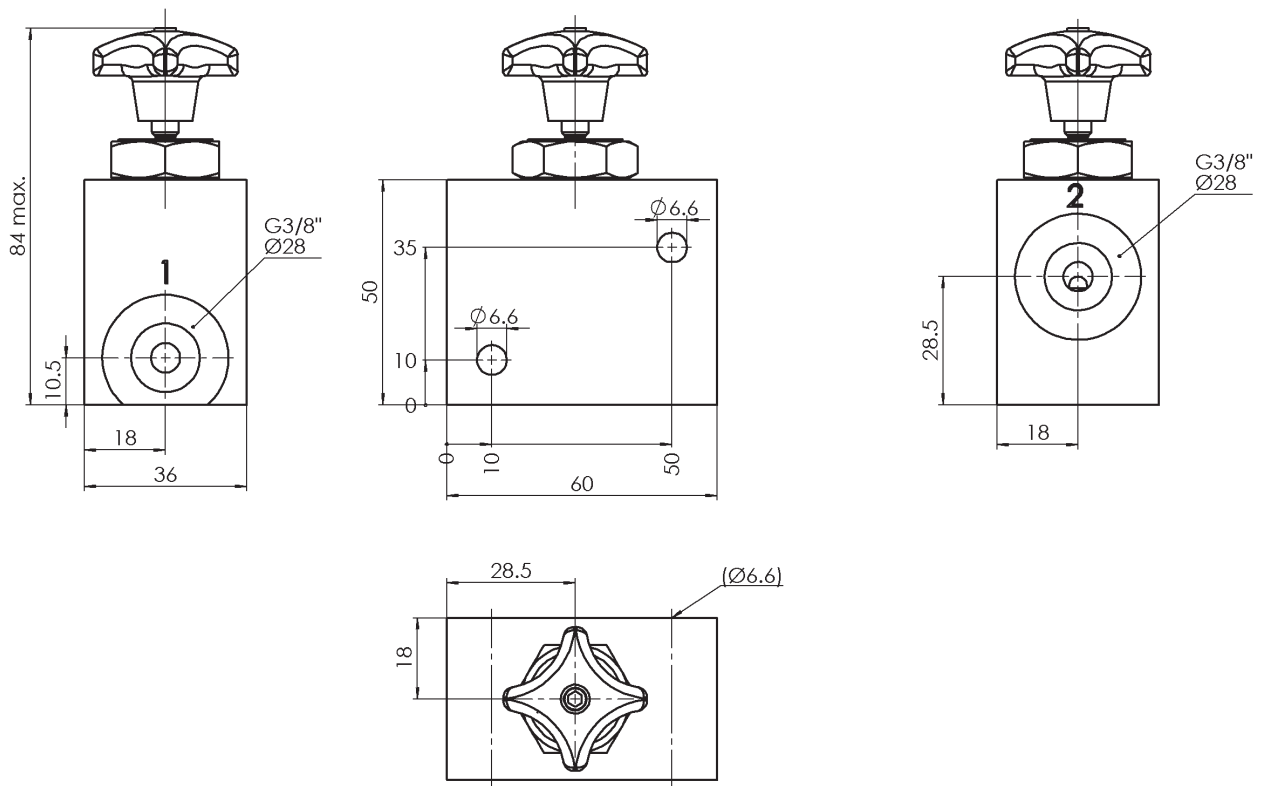
Dimensional drawings



Type AVM

NG 4 Bieri
up to 25 l/min, up to 700 bar

G3/8



Bieri Hydraulik AG

Könizstrasse 274
CH-3097 Liebefeld
Tel. +41 31 970 09 09 | Fax +41 31 970 09 10
info@bierihydraulics.com | www.bierihydraulics.com

The information in this brochure relates to the operating conditions and applications described.
For applications and operating conditions not described, please contact the relevant technical department.
Subject to technical modifications.