

Hand shut-off valves

Type SPV2

NG 5 or 8
up to 32 l/min, up to **1000 bar**

Features

- Poppet tight
- Smooth-running
- Both ports for maximum pressure



Applications

- For in-line mounting
- For manual opening and closing

Design

- Poppet valve
- Hand shut-off valves with threaded connection



Technical data

Hydraulic fluid	mineral oil according to DIN 51524 (other fluids on request)		
Fluid temperature range	-20 to 80 °C		
Ambient temperature range	-30 to 50 °C		
Viscosity range	5 to 400 mm ² /s		
Nominal size	NG 5 or 8		
Max. operating pressure	NG 5: 1000 bar NG 8: 1000 bar		
Max. flow rate	NG 5: 20 l/min NG 8: 32 l/min		
Filtration (recommendation)	according to NAS 1638 class 6 resp. ISO/DIN 4406 17/15/12		
Weight	see overview "Product information"		
Material	NG 5:	valve body: rotation knob:	galvanized steel, black chromated plastic
	NG 8:	valve body: cap: rotation knob:	corrosion-resistant, heat-treated steel aluminium plastic

Type SPV2

NG 5 or 8
up to 32 l/min, up to 1000 bar

Type code

Example		SPV	2	-	5	-	R	-	1000	-	H	-	V	-	A		00
Hand shut-off valves																	Design 00 ... 99 for internal purposes
Size	2																
Nominal size	5 8																Index Please leave blank for internal purposes
Design	R	Connection in-line body															Design revision for internal purposes
Max. operating pressure	1000 bar																
Control method	H	handwheel															
Seal material	V	FKM															

Product information

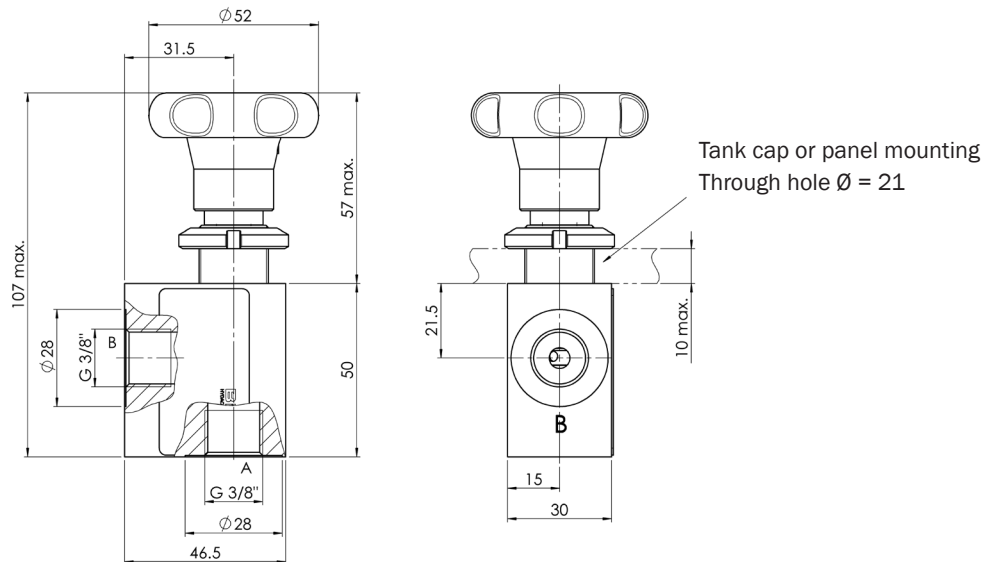
type	nominal size	max. flow rate [l/min]	max. operating pressure [bar]	weight [kg]	part No.
SPV2-5-R-1000-H-V-A*00	5	20	1000	0,7	3673697
SPV2-8-R-1000-H-V-A*00	8	32	1000	1,3	4054646

Hydraulic schematics

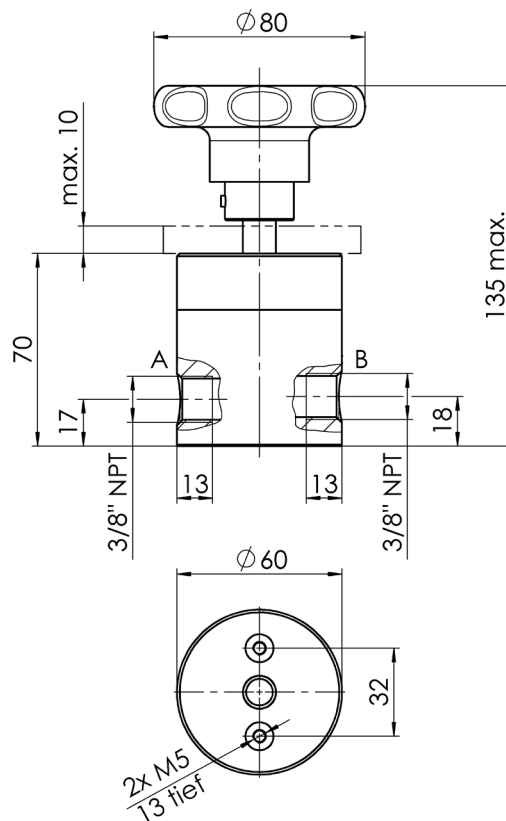


Dimensional drawings

NG 5



NG 8



Bieri Hydraulik AG

Könizstrasse 274
CH-3097 Liebefeld
Tel. +41 31 970 09 09 | Fax +41 31 970 09 10
info@bierihydraulics.com | www.bierihydraulics.com

The information in this brochure relates to the operating conditions and applications described.

For applications and operating conditions not described, please contact the relevant technical department.

Subject to technical modifications.