

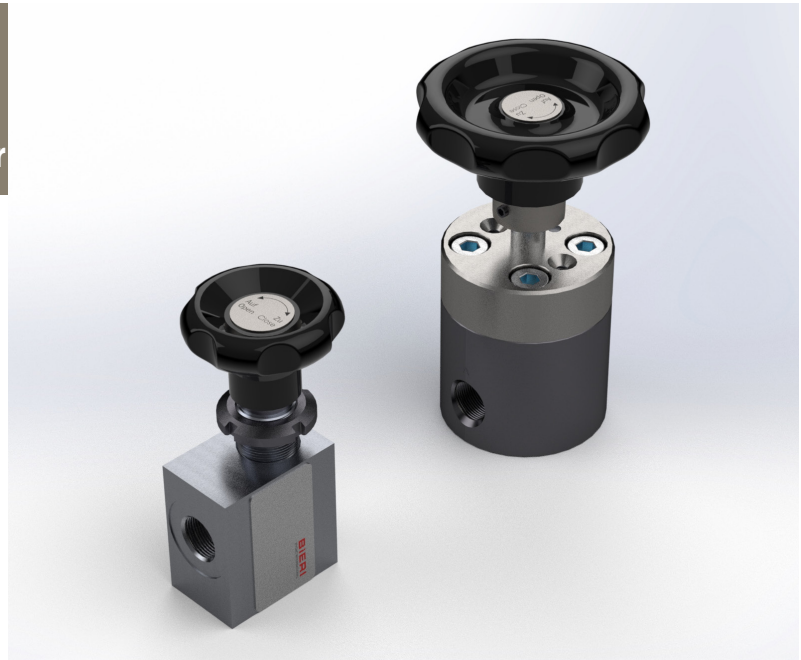
Hand shut-off valves

Type SPV2

NG 5 or 8
up to 32 l/min, up to **1000 bar**

Features

- Poppet tight
- Smooth-running
- Both ports for maximum pressure



Applications

- For in-line mounting
- For manual opening and closing

Design

- Poppet valve
- Hand shut-off valves with threaded connection



Technical data

Hydraulic fluid	mineral oil according to DIN 51524 (other fluids on request)		
Fluid temperature range	-20 to 80 °C		
Ambient temperature range	-30 to 50 °C		
Viscosity range	5 to 400 mm ² /s		
Nominal size	NG 5 or 8		
Max. operating pressure	NG 5: 1000 bar NG 8: 1000 bar		
Max. flow rate	NG 5: 20 l/min NG 8: 32 l/min		
Filtration (recommendation)	according to NAS 1638 class 6 resp. ISO/DIN 4406 17/15/12		
Weight	see overview "Product information"		
Material	NG 5:	valve body:	stainless steel
		rotation knob:	plastic
	NG 8:	valve body:	corrosion-resistant, heat-treated steel
		cap:	aluminium
		rotation knob:	plastic

Type SPV2

NG 5 or 8
up to 32 l/min, up to 1000 bar

Type code

Example		SPV	2	-	5	-	R	-	1000	-	H	-	V	-	A		00
Hand shut-off valves																	Design 00 ... 99 for internal purposes
Size	2																Index Please leave blank for internal purposes
Nominal size	5 8																Design revision for internal purposes
Design	R	Connection in-line body															
Max. operating pressure	1000 bar																
Control method	H	handwheel															
Seal material	V	FKM															

Product information

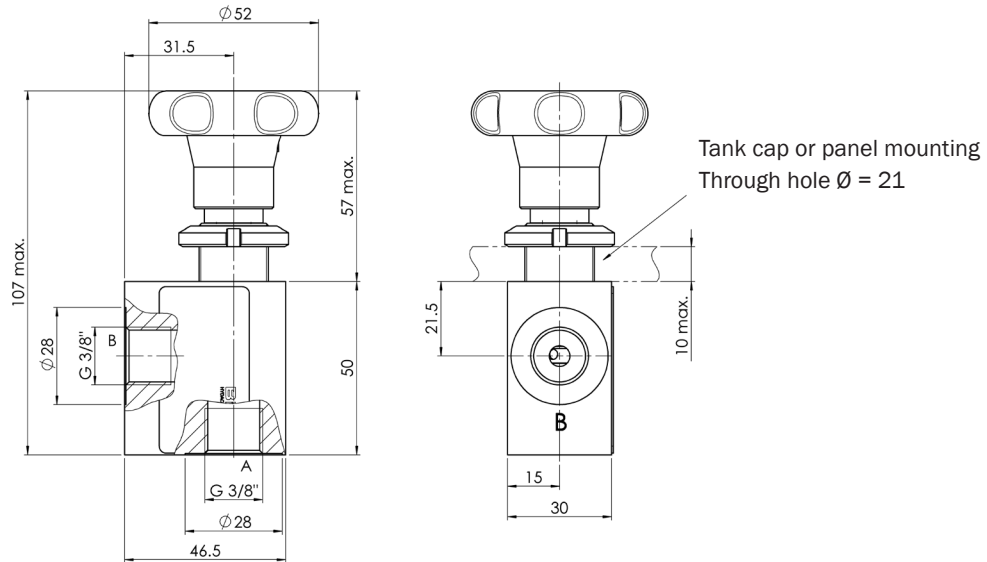
type	nominal size	max. flow rate [l/min]	max. operating pressure [bar]	weight [kg]	part No.
SPV2-5-R-1000-H-V-A*00	5	20	1000	0,7	3673697
SPV2-8-R-1000-H-V-A*00	8	32	1000	1,3	4054646

Hydraulic schematics



Dimensional drawings

NG 5



NG 8

