

Manual slide valves

Type HSV700

NG 6

up to 25 l/min, up to 700 bar

Features

- Slide shoe type directional seated valve
- Robust lever control
- Detent
- Virtually leakagefree
- Safe load holding
- Low susceptibility to dirt
- Low weight
- Low adjustment force



Applications

- Portable, weight-optimized aggregates
- Test benches

Design

- Pressure-supported sealing discs for safe load holding and optimum sealing
- Roller bearing lever for uniform actuating force
- Available for in-line mounting or manifold assembly
- Adapter plate for NG6-ISO (CETOP) connection surfaces available
- Spring loaded sliding shoes

Technical data

| | |
|---|---|
| Hydraulic fluid | mineral oil according to DIN 51524 (other fluids on request) |
| Fluid temperature range | -20 to 80 °C |
| Ambient temperature range | -30 to 50 °C |
| Viscosity range | 5 to 400 mm ² /s |
| Porting | NG 6 |
| Max. operating pressure connection P,A, B | 700 bar |
| Max. operating pressure connection T | 70 bar |
| Max. flow rate | 25 l/min |
| Filtration (recommendation) | according to NAS 1638 class 6 resp. ISO/DIN 4406 17/15/12 |
| Connection types | in-line mounting: 3/8"-NPT manifold assembly: NG 6 acc. to Bieri drilling pattern S adapter plate: NG 6 acc. to DIN 24340 / ISO 4401 / CETOP RP 121 H |
| Weight | in-line mounting: 1.4 kg manifold assembly: 1 kg |
| Materials | body: steel lever: plastic adapter plate: steel cover: Anodised aluminium |

Type HSV700

NG 6
up to 25 l/min, up to 700 bar

Type code

| Example | HSV700 - 6R - 3 / 2 - U - HR - V - A - 00 |
|------------------------------|---|
| Manual slide valves | |
| Size | 700 bar |
| Nominal size | 6 ... |
| Connection in-line mounting | ... R |
| Connection manifold assembly | ... S |
| Number of ports | 3 or 4 |
| Number of positions | 2 or 3 |
| Control function | see overview „Product information“ |
| Control method | HR manual lever / detent |
| Seal material | V FKM other seal materials on request |
| | Design 00 ... 99 For internal purposes |
| | Index Please leave blank For internal purposes |
| | Design revision For internal purposes |

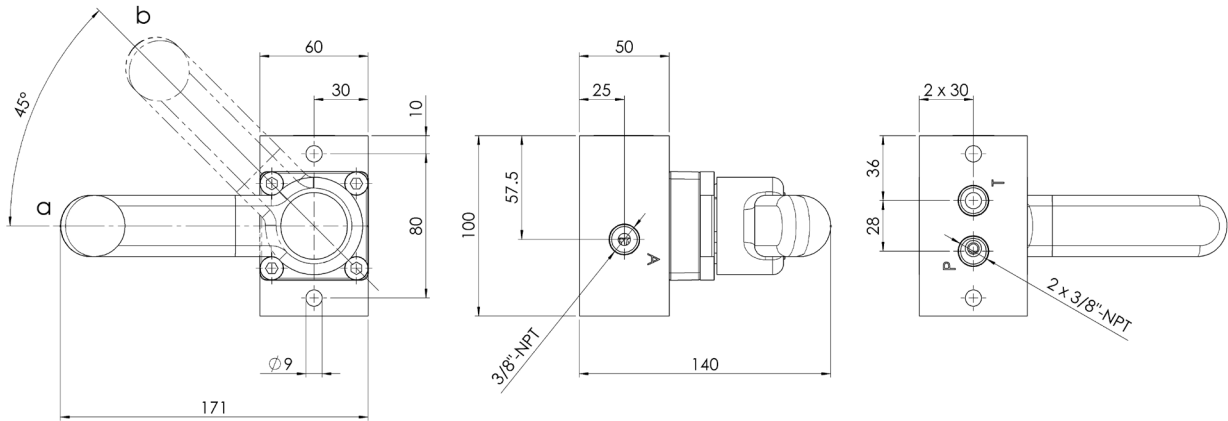
Product information

| Valve type | 3/2 | 3/3 | | |
|-----------------------|-------------|---------|---------|---------|
| Control function | Q | G | | |
| Part No. Connection R | 4534922 | 4534925 | | |
| Part No. Connection S | on request! | 4534927 | | |
| Symbol | | | | |
| Valve type | 4/2 | | | |
| Control function | J | | | |
| Part No. Connection R | 4534928 | | | |
| Part No. Connection S | 4534929 | | | |
| Symbol | | | | |
| Valve type | 4/3 | | | |
| Control function | H | E | U | J |
| Part No. Connection R | 4534930 | 4534933 | 4534935 | 4534937 |
| Part No. Connection S | 4534932 | 4534934 | 4534936 | 4534938 |
| Symbol | | | | |

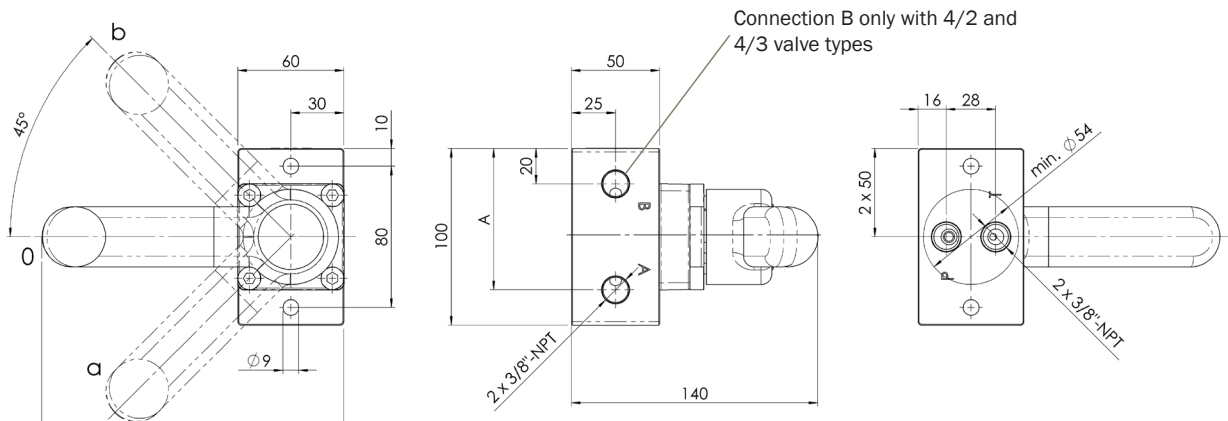
Dimensional drawings

In-line mounting (R)

3/2-Q valve type



3/3, 4/2 and 4/3 valve type

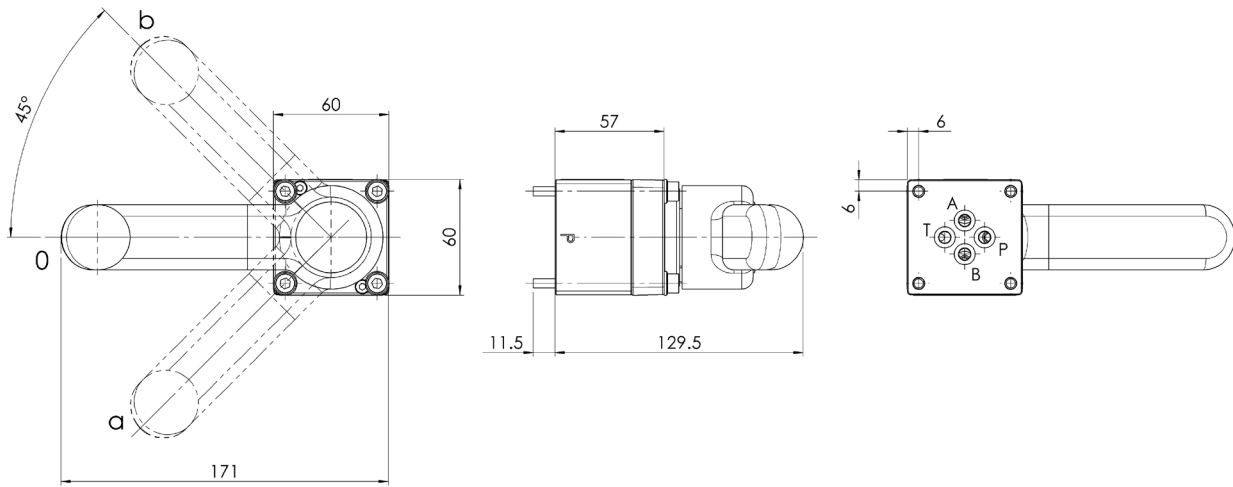


| Valve type | Dim. A [mm] |
|------------|-------------|
| 3/3 | 67.5 |
| 4/2 | 80 |
| 4/3 | 80 |

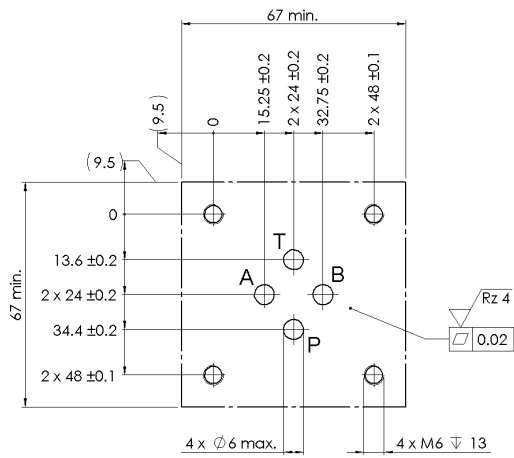
Type HSV700

NG 6
up to 25 l/min, up to 700 bar

Manifold assembly (S)



Drilling pattern manifold assembly

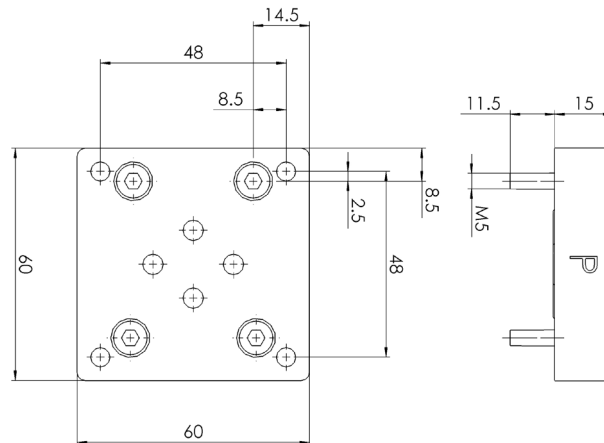


Adapter plate

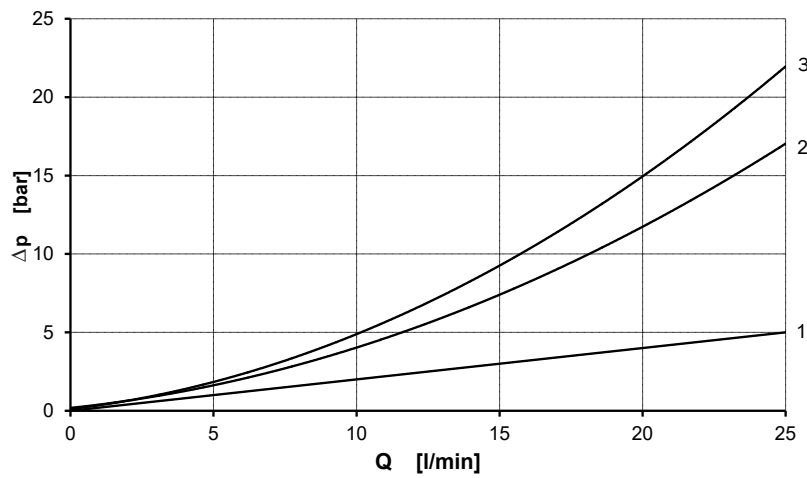
| Item description | Weight | Part No. |
|--------------------------------|--------|----------|
| HSV700 adapter plate CETOP FKM | 0.4 kg | 3999484 |

It is supplied with four M5 screws and the necessary seals (FKM).

Dimensional drawing



Pressure drop



| Valve type | Control function | a | | b | | | 0 | | | | | |
|------------|------------------|-----|-----|-----|-----|-----|-----|-----|-----|-----|-----|---|
| | | P-A | B-T | P-B | A-T | P-A | P-A | B-T | P-B | A-T | P-T | |
| 3/2 | Q | | | | 3 | 3 | 1 | | | | | |
| 3/3 | G | 3 | | | | | 3 | | | 3 | 2 | |
| 4/2 | J | | | 3 | 3 | | | 3 | | 3 | | |
| 4/3 | H | 3 | 3 | 3 | 3 | | 3 | 3 | 3 | 3 | | |
| 4/3 | E | 3 | 3 | 3 | 3 | | | | | | | |
| 4/3 | U | 3 | 3 | 3 | 3 | | | | | | | 2 |
| 4/3 | J | 3 | 3 | 3 | 3 | | | 3 | | 3 | | |

Type HSV700

NG 6
up to 25 l/min, up to 700 bar

Spare parts

| Item description | Part No. |
|---|----------|
| 4 x O-Ring 7,65X 1,78, FKM | 4003082 |
| 4 x Socket head screw ISO 4762-M5 x 20-12.9 | 4484492 |
| 4 x Socket head screw ISO 4762-M6 x 70-12.9 | 4484494 |

Bieri Hydraulik AG
Könizstrasse 274
CH-3097 Liebefeld
Tel. +41 31 970 09 09 | Fax +41 31 970 09 10
info@bierihydraulics.com | www.bierihydraulics.com

The information in this brochure relates to the operating conditions and applications described.
For applications and operating conditions not described, please contact the relevant technical department.
Subject to technical modifications.