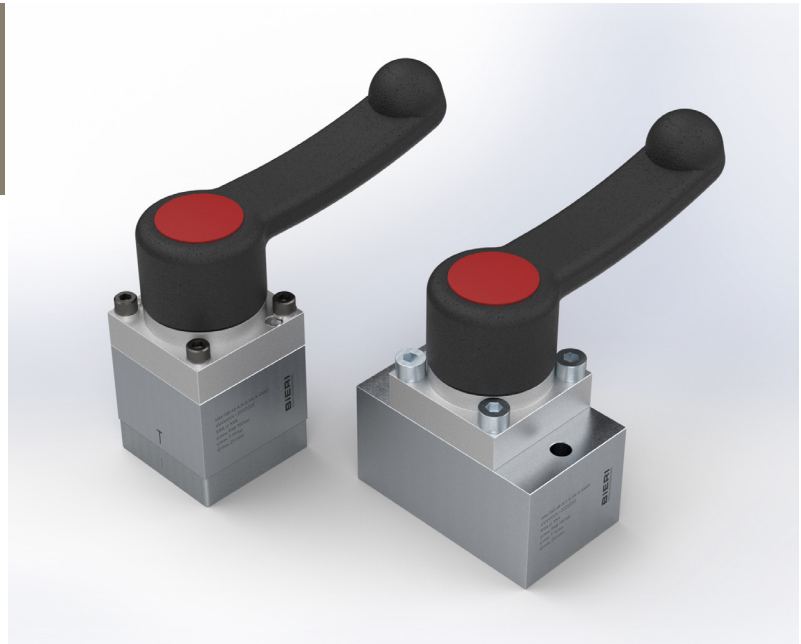


# Manual slide valves

## Type HSV700

NG 6

up to 25 l/min, up to 700 bar



### Features

- Slide shoe type directional seated valve
- Robust lever control
- Detent
- Virtually leakagefree
- Safe load holding
- Low susceptibility to dirt
- Low weight
- Low adjustment force

### Applications

- Portable, weight-optimized aggregates
- Test benches

### Design

- Pressure-supported sealing discs for safe load holding and optimum sealing
- Roller bearing lever for uniform actuating force
- Available for in-line mounting or manifold assembly
- Adapter plate for NG6-ISO (CETOP) connection surfaces available
- Spring loaded sliding shoes

### Technical data

Hydraulic fluid	mineral oil according to DIN 51524 (other fluids on request)
Fluid temperature range	-20 to 80 °C
Ambient temperature range	-30 to 50 °C
Viscosity range	5 to 400 mm <sup>2</sup> /s
Porting	NG 6
Max. operating pressure connection P,A, B	700 bar
Max. operating pressure connection T	70 bar
Max. flow rate	25 l/min
Filtration (recommendation)	according to NAS 1638 class 6 resp. ISO/DIN 4406 17/15/12
Connection types	in-line mounting: 3/8"-NPT manifold assembly: NG 6 acc. to Bieri drilling pattern S adapter plate: NG 6 acc. to DIN 24340 / ISO 4401 / CETOP RP 121 H
Weight	in-line mounting: 1.4 kg manifold assembly: 1 kg
Materials	body: aluminium lever: plastic adapter plate: steel cover: Anodised aluminium

## Type HSV700

NG 6  
up to 25 l/min, up to 700 bar

## Type code

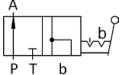
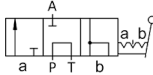
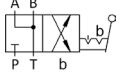
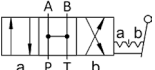
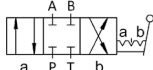
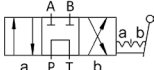
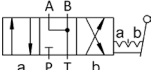
Example	HSV700 - 6R - 3 / 2 - U - HR - V - A - 00
<b>Manual slide valves</b>	
<b>Size</b>	700 bar
<b>Nominal size</b>	6 ...
<b>Connection in-line mounting</b>	... R
<b>Connection manifold assembly</b>	... S
<b>Number of ports</b>	3 or 4
<b>Number of positions</b>	2 or 3
<b>Control function</b>	see overview „Product information“
<b>Control method</b>	HR manual lever / detent
<b>Seal material</b>	V FKM other seal materials on request

**Design**  
00 ... 99  
For internal purposes

**Index**  
Please leave blank  
For internal purposes

**Design revision**  
For internal purposes

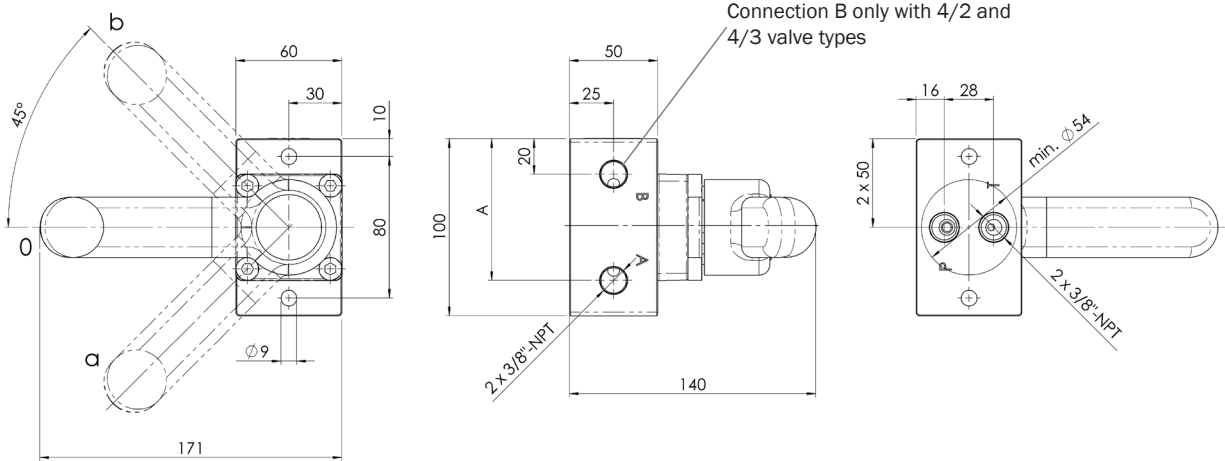
## Product information

<b>Valve type</b>	<b>3/2</b>	<b>3/3</b>		
<b>Control function</b>	<b>Q</b>	<b>G</b>		
Part No. Connection R		4534925		
Part No. Connection S	on request	4534927		
Symbol				
<b>Valve type</b>	<b>4/2</b>			
<b>Control function</b>	<b>J</b>			
Part No. Connection S	4534929			
Symbol				
<b>Valve type</b>	<b>4/3</b>			
<b>Control function</b>	<b>H</b>	<b>E</b>	<b>U</b>	<b>J</b>
Part No. Connection R	on request	4534933	4534935	on request
Part No. Connection S	4534932	4534934	4534936	on request
Symbol				

**Dimensional drawings**

**In-line mounting (R)**

3/3 and 4/3 valve type

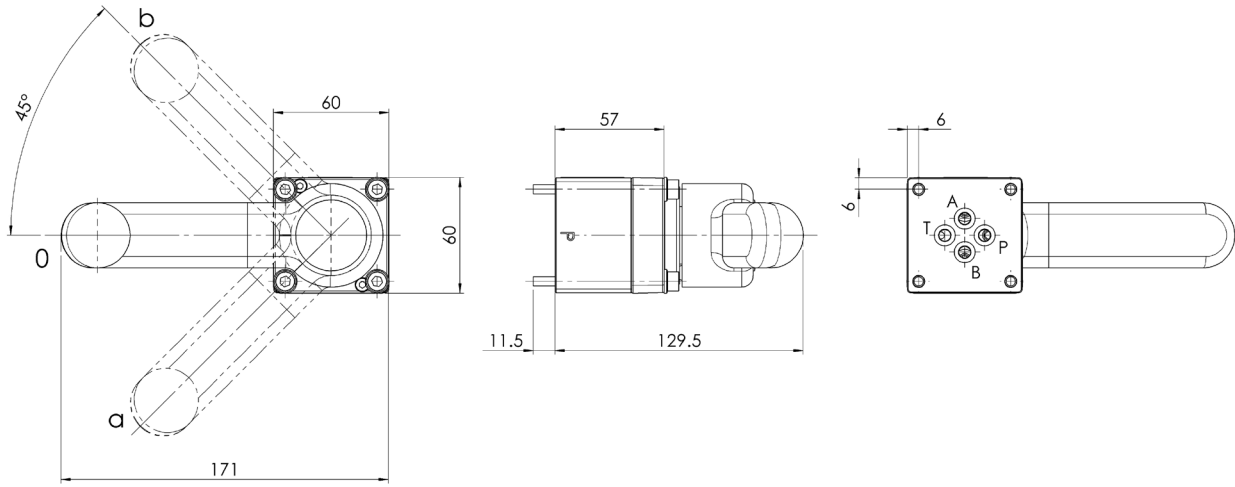


Valve type	Dim. A [mm]
3/3	67.5
4/3	80

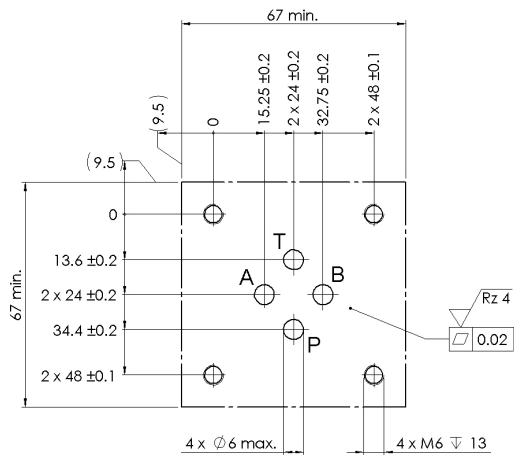
Type HSV700

NG 6  
up to 25 l/min, up to 700 bar

Manifold assembly (S)



Drilling pattern manifold assembly

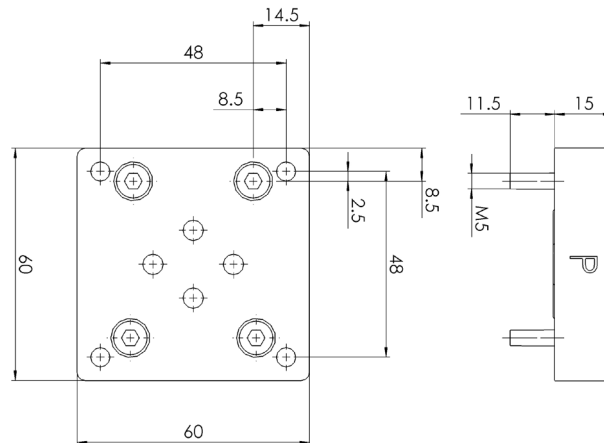


## Adapter plate

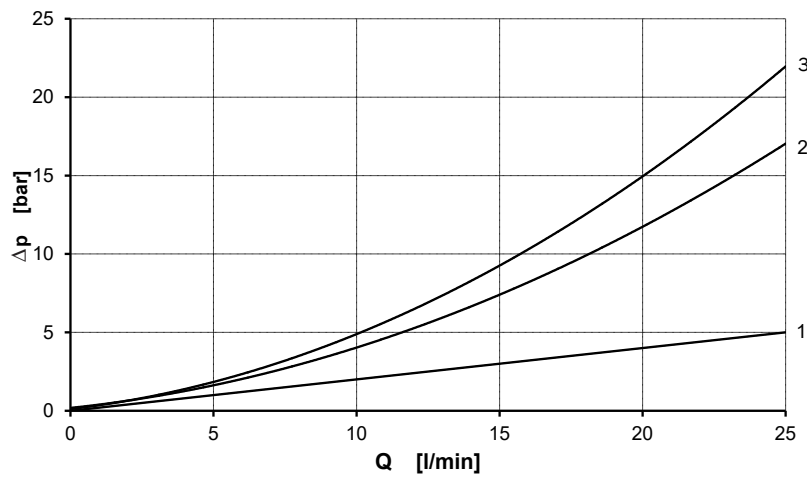
Item description	Weight	Part No.
HSV700 adapter plate CETOP FKM	0.4 kg	3999484

It is supplied with four M5 screws and the necessary seals (FKM).

## Dimensional drawing



## Pressure drop



Valve type	Control function	a		b			0					
		P-A	B-T	P-B	A-T	P-A	P-A	B-T	P-B	A-T	P-T	
3/2	Q				3	3	1					
3/3	G	3					3			3	2	
4/2	J			3	3			3		3		
4/3	H	3	3	3	3		3	3	3	3		
4/3	E	3	3	3	3							
4/3	U	3	3	3	3							2
4/3	J	3	3	3	3			3		3		

Type HSV700

NG 6  
up to 25 l/min, up to 700 bar

## Spare parts

Item description	Part No.
4 x O-ring 7,65 x 1,78, FKM	4481551
4 x Socket head screw ISO 4762-M5 x 20-12.9	4484492
4 x Socket head screw ISO 4762-M6 x 70-8.8-A3B (galvanised blue)	4484494