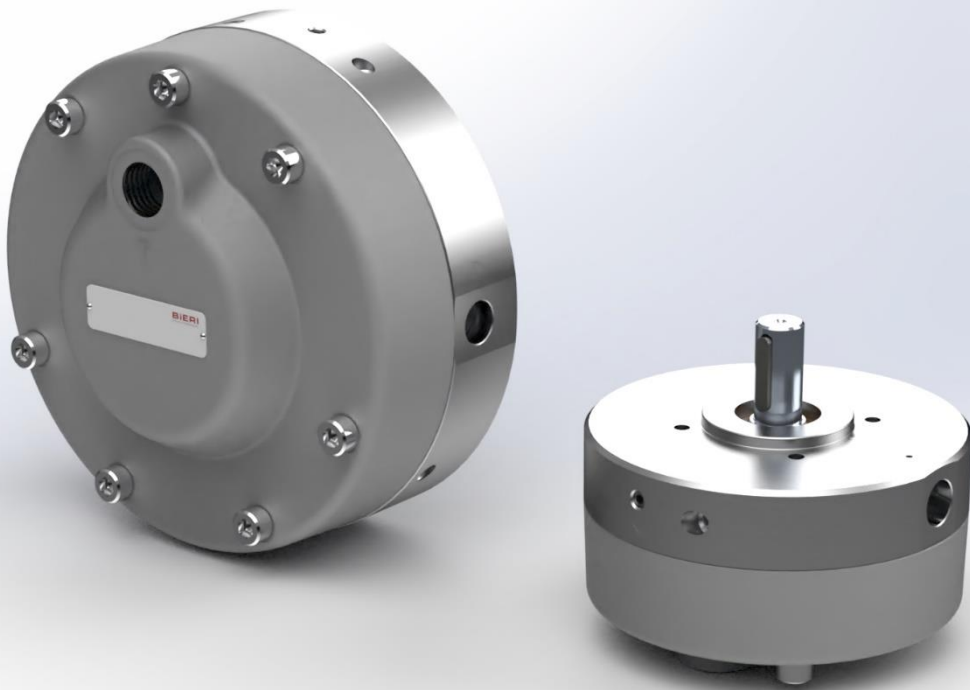


HIGH PRESSURE NEWS

1000bar radial piston pump

BRK1001 replaces BRK11

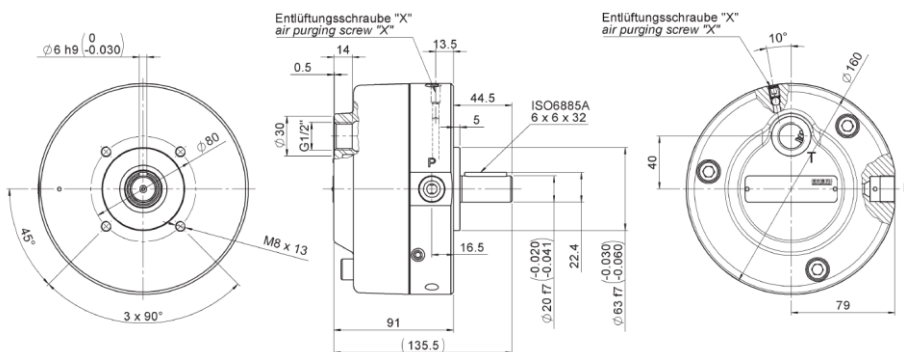


BRK1001

The proven 1000bar pump, type BRK11 has been further developed by our engineers to the new type BRK1001. The following table gives you a comparison of the features :

Feature	BRK1001 (new)	BRK11
Connection	Maximator	G-1/4"
Suction connection	G-1/2" 90°	G-1/2" 120° and 144°
Standard sealing	FKM	NBR
Bleeder screw	Yes*	No
Length (without shaft)	91 mm	83 mm
Outer diameter	160 mm	160 mm
Interface motor side	Identical	Identical
BIERI-Pumping elements	PEH	PEH
Bearings	Identical	Identical
Selfventing and selfpriming	Yes	Yes

*With the tank on the top, it allows the pump to be completely filled before start-up.



BIERI
HYDAC INTERNATIONAL

Bieri Hydraulik AG
Könizstrasse 274
CH-3097 Liebefeld

info@bierihydraulics.com
www.bierihydraulics.com